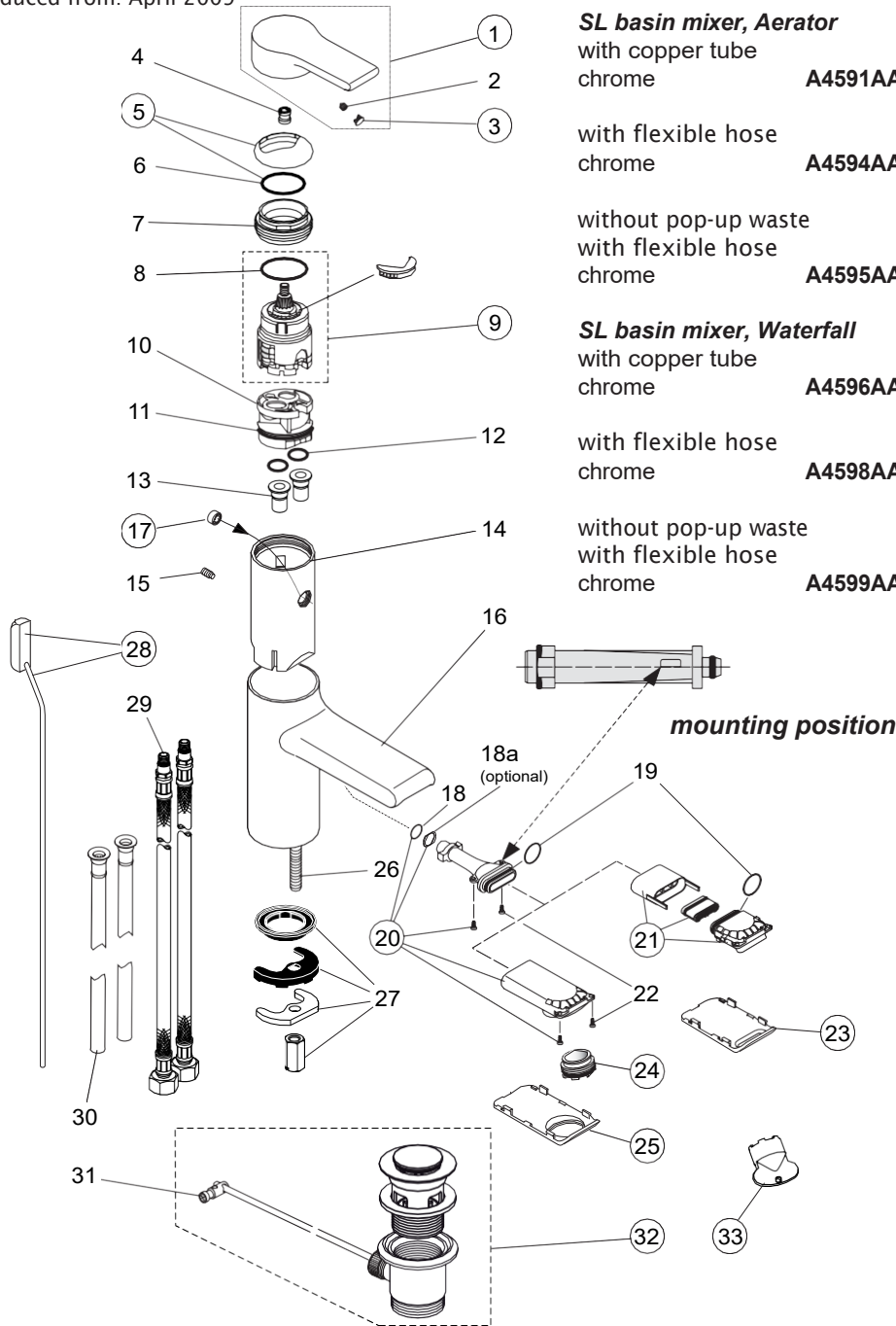


Produced from: April 2009



**SL basin mixer, Aerator**  
with copper tube  
chrome **A4591AA**

with flexible hose  
chrome **A4594AA**

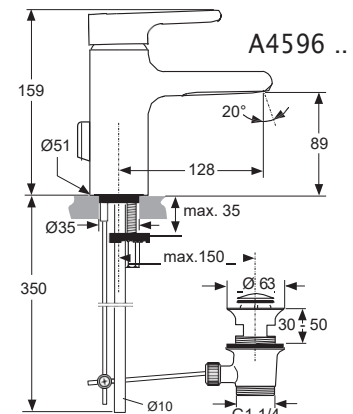
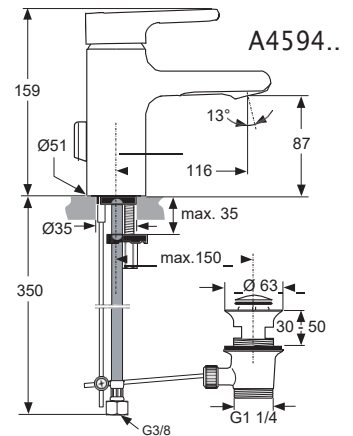
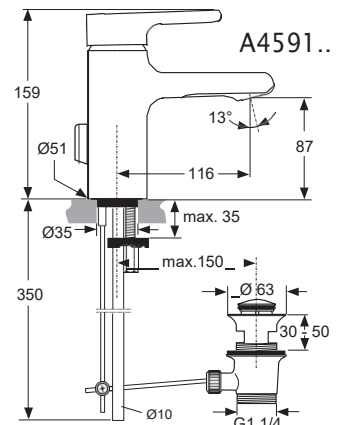
without pop-up waste  
with flexible hose  
chrome **A4595AA**

**SL basin mixer, Waterfall**  
with copper tube  
chrome **A4596AA**

with flexible hose  
chrome **A4598AA**

without pop-up waste  
with flexible hose  
chrome **A4599AA**

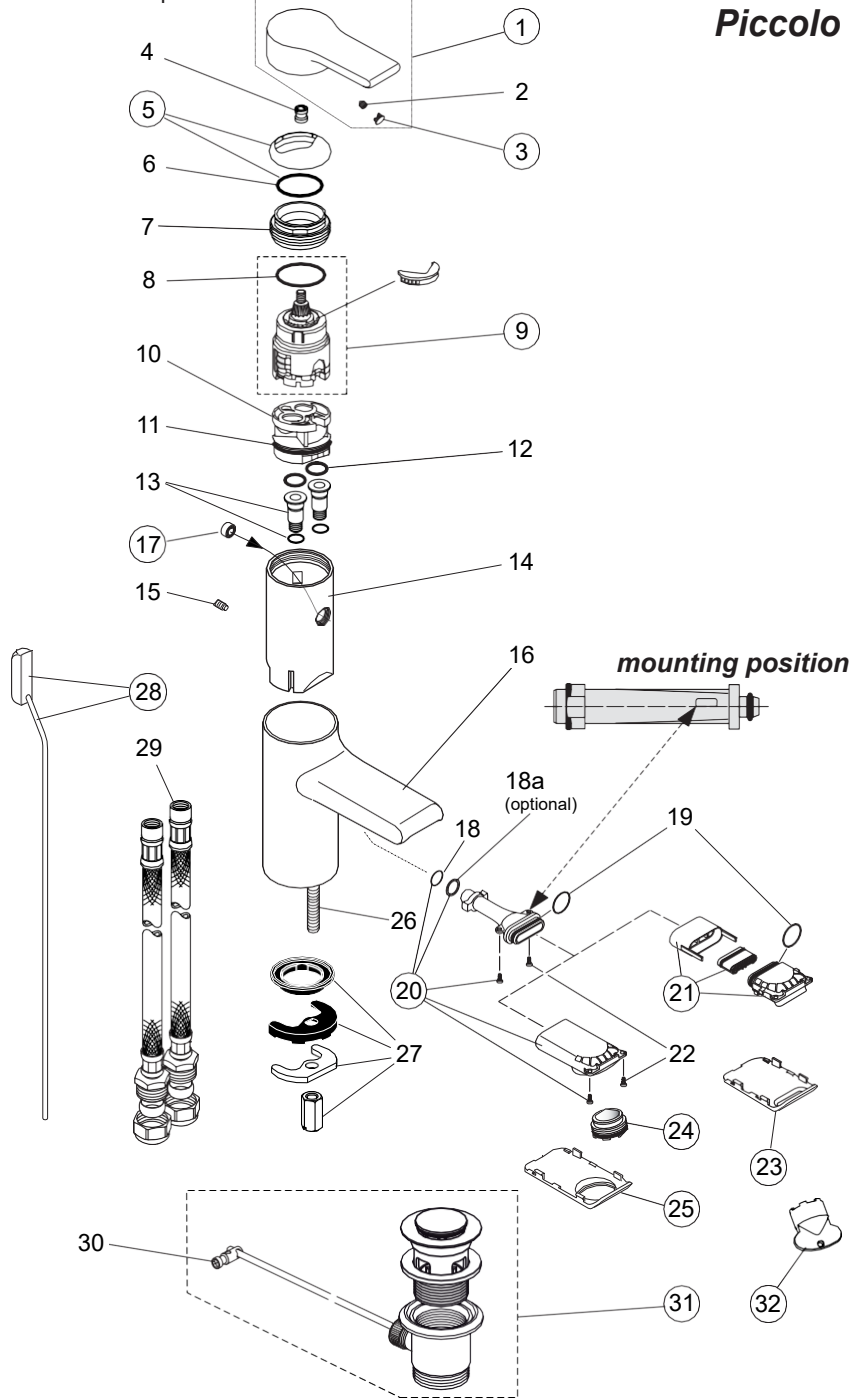
**mounting position**



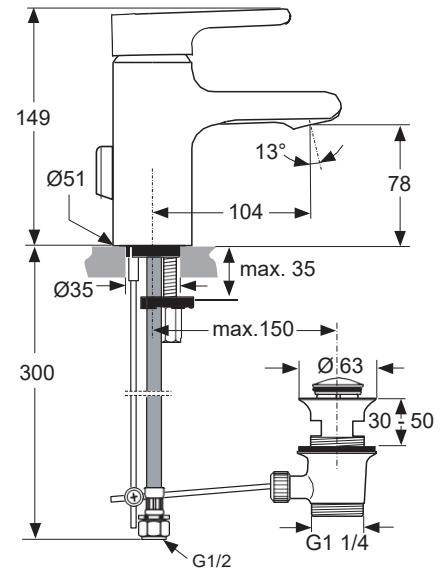
Pos.	Description	Part-Number	Qty.	Pos.	Description	Part-Number	Qty.
1	Lever cpl. with Logo IS	<b>A 960 645 AA</b>	1 pcs	18	O - ring Ø 9,25 x 1,78 - from 2015 Ø 9,1 x 1,6	<b>A 960 649 NU</b>	
2	Thread pin M5x6 DIN914	<b>A 860 603 NU</b>		19	O - ring Ø 18 x 1,5		
3	Handle cap	<b>B 960 473 AA</b>	1 pcs	20	Water outlet f. aerator	<b>A 960 649 NU*</b>	1 Set
4	Handle adapter ( included in pos. 9 )			21	Water outlet f. waterfall	<b>A 960 650 NU*</b>	1 Set
5	Cover cap with pos.6	<b>A 960 646 AA</b>	1 pcs	22	Screw Ejojt WN5152 20x5		
6	O - ring Ø 28,3 x 1,78	<b>A 961 667 NU</b>		23	Cover plate waterfall	<b>A 960 651 AA</b>	1 pcs
7	Clamping nut M43 x1,5	<b>Clamping nut</b>		24	Aerator M24x1 Casc. -A-	<b>A 962 470 NU</b>	1 pcs
8	O - Ring Ø 35 x 3,2	<b>A 962 715 NU</b>		25	Cover plate aerator	<b>A 960 653 AA</b>	1 pcs
9	Cartridge Multiport Click	<b>A 962 985 NU</b>	1 pcs	26	Stud M8 x 63mm		
	Cartridge ( only waterfall )	<b>A 962 716 NU</b>	1 pcs	27	Fixation set	<b>B 952 343 NU</b>	
10	Plastic manifold			28	Pull knob with lift rod	<b>A 960 654 AA</b>	1 pcs
11	O - ring Ø 34,65 x 1,78	<b>A 962 848 NU</b>		29	Flex. hose M8x1-G3/8	<b>A 962 370 NU</b>	
12	O - ring Ø 10 x 2	<b>A 963 495 NU</b>		30	Copper tube	<b>A 963 282 NU</b>	
13	Adapter flex. hose			31	Bracket	<b>A 963 404 NU</b>	
14	Cartridge holder			32	Pop-up waste complete	<b>A 961 230 AA</b>	1 pcs
15	Thread pin M5x16 DIN 914	<b>Thread pin</b>		33	Key f. aerator pos. 25	<b>A 960 196 NU</b>	1 pcs
16	Body ( Lavy + Bidet)						
17	Flow limiter (waterfall only)	<b>A 960 647 NU</b>	1 pcs				

\*from 2015 w. Pos.18a (optional); water outlet removed in Pos.20 + Pos.21

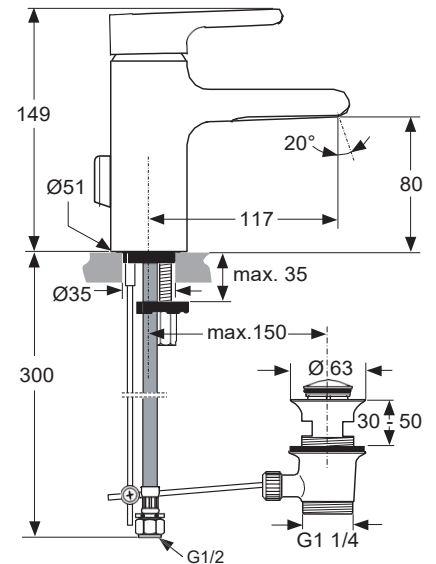
Produced from: April 2009



**Piccolo**



**SL basin mixer Piccolo, Aerator**  
with flexible hose  
chrome **A4592AA**

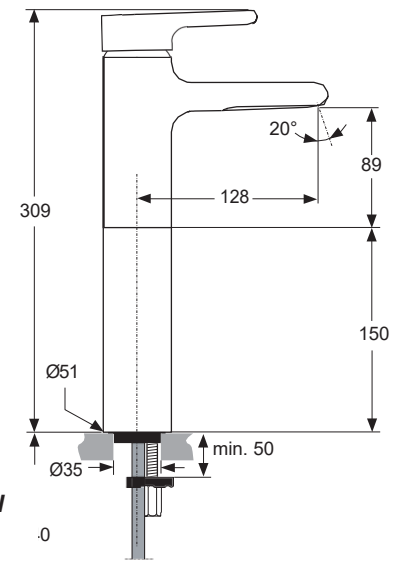
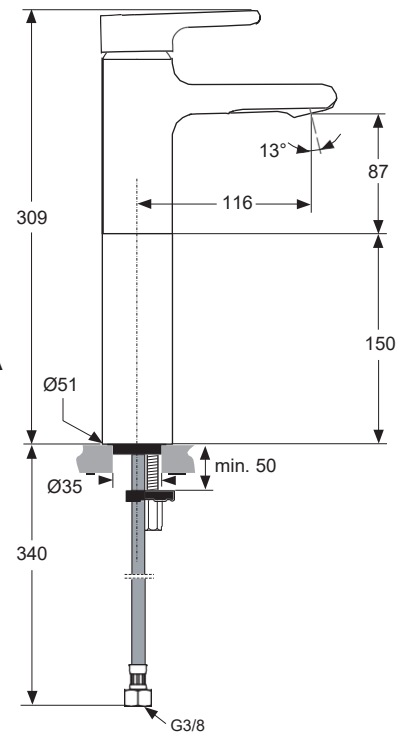
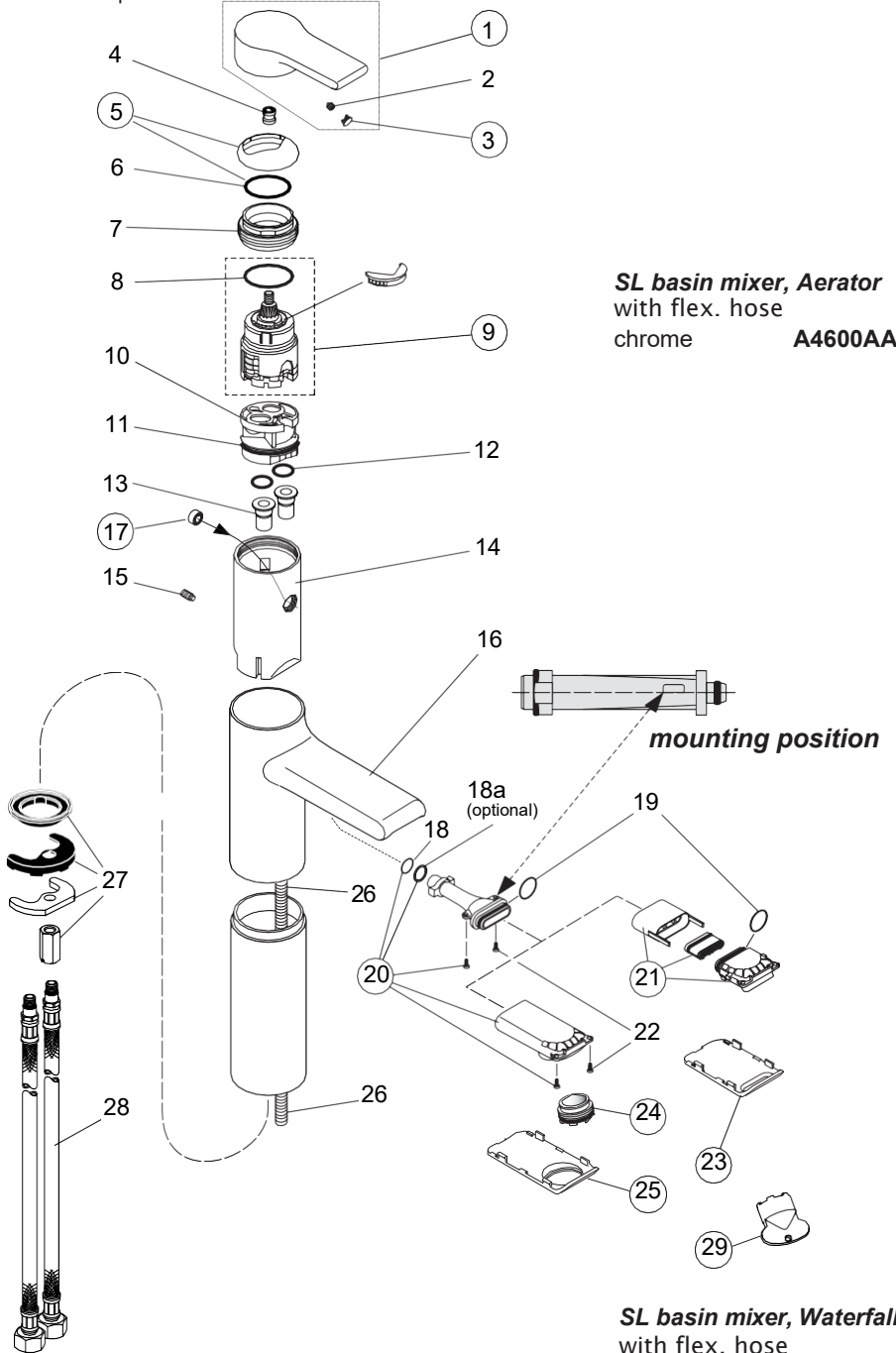


**SL basin mixer, Waterfall**  
with flexible hose  
chrome **A4597AA**

Pos.	Description	Part-Number	Qty.	Pos.	Description	Part-Number	Qty.
1	Lever cpl. with Logo IS	<a href="#">A 960 645 AA</a>	1 pcs	17	Flow limiter (waterfall only)	<a href="#">A 960 647 NU</a>	1 pcs
2	Thread pin M5x6 DIN914	<a href="#">A 860 603 NU</a>		18	O - ring Ø 9,25 x 1,78 (until 2014) <a href="#">A 960 649 NU</a> (from 2015 Ø 9,1 x 1,6)		
3	Handle cap	<a href="#">B 960 473 AA</a>	1 pcs	19	O - ring Ø 18 x 1,5		
4	Handle adapter ( included in pos. 9 )			20	Water outlet f. aerator	<a href="#">A 960 649 NU*</a>	1 Set
5	Cover cap	<a href="#">A 960 646 AA</a>	1 pcs	21	Water outlet f. waterfall	<a href="#">A 960 687 NU*</a>	1 Set
6	O - ring Ø 28,3 x 1,78	<a href="#">A 961 667 NU</a>		22	Screw Ejot WN5152 20x5		
7	Clamping nut M43 x 1,5	<a href="#">Clamping nut</a>		23	Cover plate waterfall	<a href="#">A 960 688 AA</a>	1 pcs
8	O - Ring Ø 35 x 3,2	<a href="#">A 962 715 NU</a>		24	Aerator M24x1	<a href="#">A 960 692 NU</a>	1 pcs
9	Cartridge Multiport Click	<a href="#">A 962 985 NU</a>	1 pcs	25	Cover plate aerator	<a href="#">A 960 689 AA</a>	1 pcs
10	Cartridge ( only waterfall )	<a href="#">A 962 716 NU</a>	1 pcs	26	Stud M8 x 63mm		
11	Plastic manifold			27	Fixation set		
12	O - ring Ø 34,65 x 1,78	<a href="#">A 962 848 NU</a>		28	Pull knob with lift rod	<a href="#">A 960 654 AA</a>	1 pcs
13	O - ring Ø 10 x 2	<a href="#">A 963 495 NU</a>		29	Flex. hose M10x1In.-G1/2	<a href="#">A 960 934 NU</a>	
14	Adapter flex. hose + O-ring Ø 7 x 1,5			30	Bracket	<a href="#">A 963 404 NU</a>	
15	Cartridge holder			31	Pop-up waste complete	<a href="#">A 961 230 AA</a>	1 pcs
16	Body ( Lavy Piccolo )			32	Key f. aerator pos. 24	<a href="#">A 960 196 NU</a>	1 pcs

\*from 2015 w. Pos.18a (optional); water outlet removed in Pos.20 + Pos.21

Produced from: April 2009



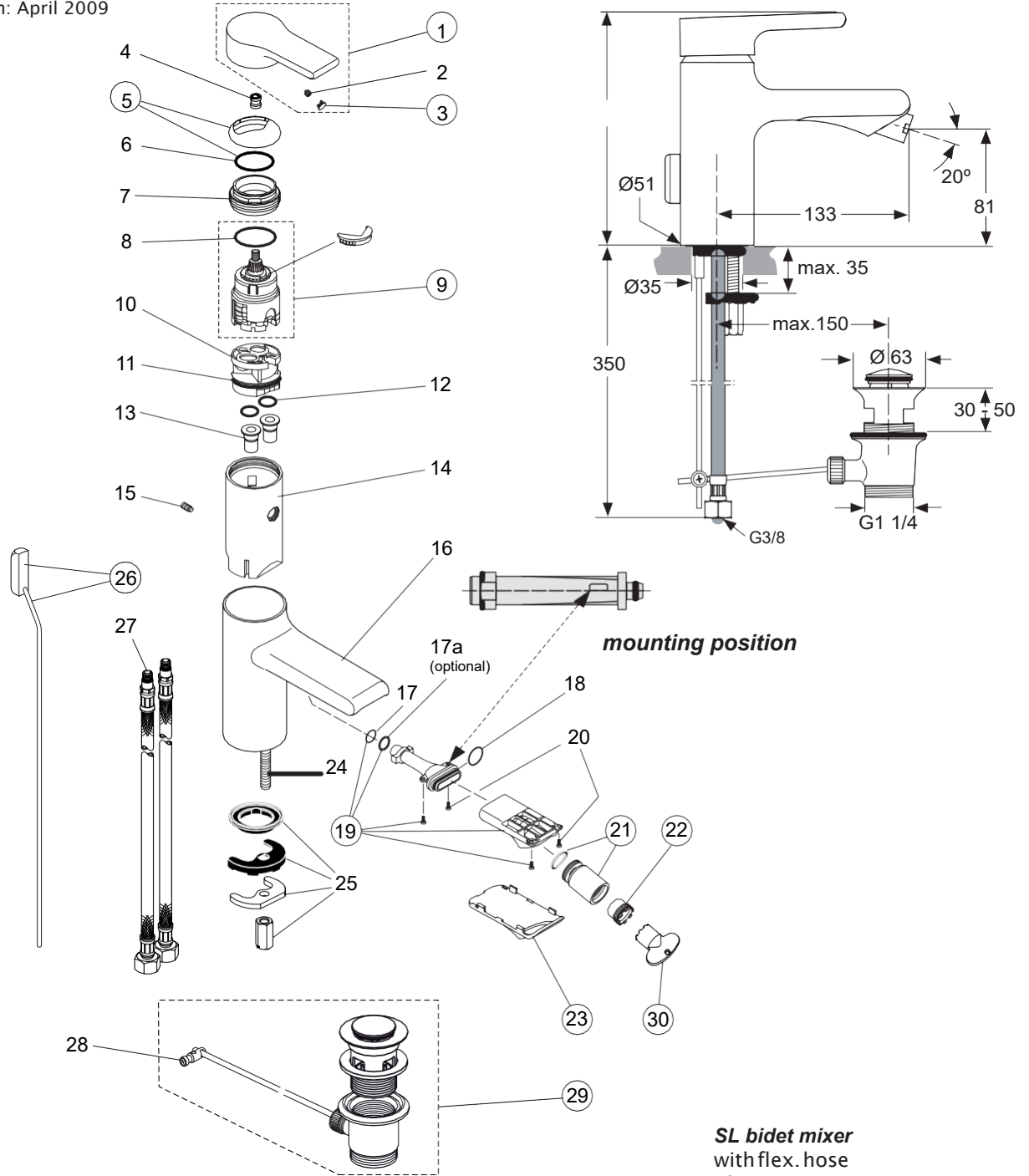
**SL basin mixer, Aerator**  
with flex. hose  
chrome **A4600AA**

**SL basin mixer, Waterfall**  
with flex. hose  
chrome **A4601AA**

Pos.	Description	Part-Number	Qty.	Pos.	Description	Part-Number	Qty.
1	Lever cpl. with Logo IS	<a href="#">A 960 645 AA</a>	1 pcs	16	Body ( Lavy + Bidet )		
2	Thread pin M5x6 DIN914	<a href="#">A 860 603 NU</a>		17	Flow limiter (waterfall only)	<a href="#">A 960 647 NU</a>	1 pcs
3	Handle cap	<a href="#">B 960 473 AA</a>	1 pcs	18	O - ring Ø 9,25 x 1,7-from 2015 Ø 9,1 x 1,6	<a href="#">A 960 649 NU</a>	
4	Handle adapter	<a href="#">A 963 372 NU</a>		19	O - ring Ø 18 x 1,5		
5	Cover cap	<a href="#">A 960 646 AA</a>	1 pcs	20	Water outlet f. aerator	<a href="#">A 960 649 NU*</a>	1 Set
6	O - ring Ø 28,3 x 1,78	<a href="#">A 961 667 NU</a>		21	Water outlet f. waterfall	<a href="#">A 960 650 NU*</a>	1 pcs
7	Clamping nut M43 x 1,5	<a href="#">Clamping nut</a>		22	Screw Ejet WN5152 20x5		
8	O - Ring Ø 35 x 3,2	<a href="#">A 962 715 NU</a>		23	Cover plate waterfall	<a href="#">A 960 651 AA</a>	1 pcs
9	Cartridge Multiport Click	<a href="#">A 962 985 NU</a>	1 pcs	24	Aerator M24x1 Casc. -A-	<a href="#">A 962 470 NU</a>	1 pcs
	Cartridge ( only waterfall )	<a href="#">A 962 716 NU</a>	1 pcs	25	Coverplate aerator	<a href="#">A 960 653 AA</a>	1 pcs
10	Plastic manifold			26	Stud M8 x 270mm		
11	O - ring Ø 34,65 x 1,78	<a href="#">A 962 848 NU</a>		27	Fixation set	<a href="#">A 952 864 NU</a>	
12	O - ring Ø 10 x 2	<a href="#">A 963 495 NU</a>		28	Flex. hose M8x1-G3/8 x 550mm		
13	Adapter flex. hose			29	Key for aerator pos. 24	<a href="#">A 960 196 NU</a>	1 pcs
14	Cartridge holder						
15	Thread pin M5x16 DIN 914	<a href="#">Thread pin</a>					

\*from 2015 w. Pos.18a (optional); water outlet removed in Pos.20 + Pos.21

Produced from: April 2009



**SL bidet mixer**  
with flex. hose  
chrome

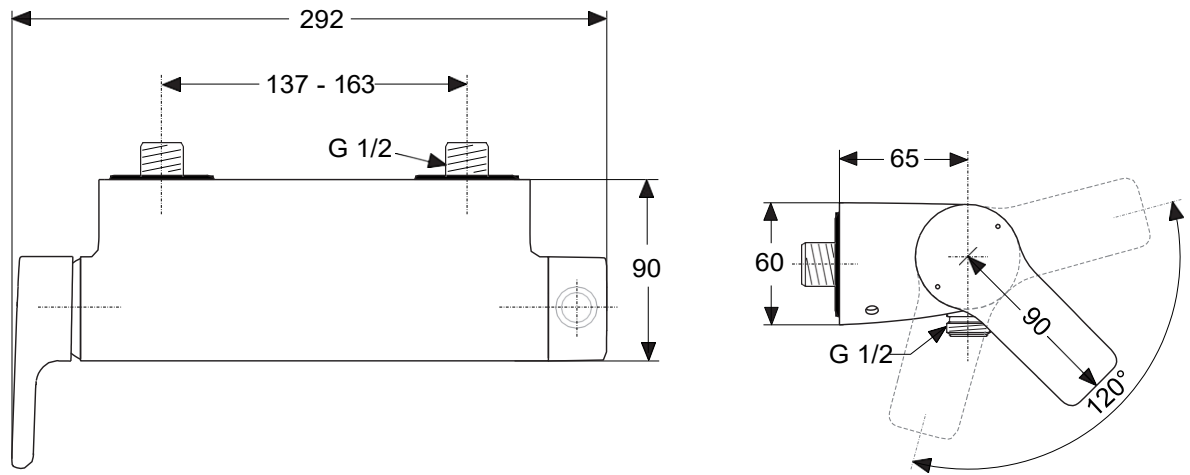
**A4602AA**

Pos.	Description	Part-Number	Qty.	Pos.	Description	Part-Number	Qty.
1	Lever cpl. with Logo IS	<a href="#">A 960 645 AA</a>	1 pcs	17	O - ring Ø 9,25 x 1,78 from 2015 Ø 9,1 x 1,6	<a href="#">A 960 649 NU</a>	
2	Thread pin M5x6 DIN914	<a href="#">A 860 603 NU</a>		18	O - ring Ø 18 x 1,5		
3	Handle cap	<a href="#">B 960 473 AA</a>	1 pcs	19	Water outlet f. aerator	<a href="#">A 960 649 NU*</a>	1 Set
4	Handle adapter ( included in pos. 9 )			20	Screw Ejot WN5152 20x5		
5	Cover cap	<a href="#">A 960 646 AA</a>	1 pcs	21	Ball joint M18 x 1 cpl.	<a href="#">A 962 385 AA</a>	1 pcs
6	O - ring Ø 28,3 x 1,78	<a href="#">A 961 667 NU</a>		22	Aerator M16,5 x 1	<a href="#">A 960 197 NU</a>	1 pcs
7	Clamping nut M43 x 1,5	<a href="#">Clamping nut</a>		23	Cover plate bidet	<a href="#">A 960 679 AA</a>	1 pcs
8	O - Ring Ø 35 x 3,2	<a href="#">A 962 715 NU</a>		24	Stud M8 x 63mm		
9	Cartridge Multiport Click	<a href="#">A 962 985 NU</a>	1 pcs	25	Fixation set	<a href="#">A 952 864 NU</a>	
10	Plastic manifold			26	Pull knob with lift rod	<a href="#">A 960 654 AA</a>	1 pcs
11	O - ring Ø 34,65 x 1,78	<a href="#">A 962 848 NU</a>		27	Flex. hose M8x1-G3/8	<a href="#">A 962 370 NU</a>	
12	O - ring Ø 10 x 2	<a href="#">A 963 495 NU</a>		28	Bracket	<a href="#">A 963 404 NU</a>	
13	Adapter flex. hose			29	Pop-up waste complete	<a href="#">A 961 230 AA</a>	1 pcs
14	Cartridge holder			30	Key for aerator pos. 22	<a href="#">A 960 196 NU</a>	1 pcs
15	Thread pin M5x16 DIN 914	<a href="#">Thread pin</a>					
16	Body ( Lavy + Bidet )						

\*from 2015 w. Pos.17a (optional); water outlet removed in Pos.19

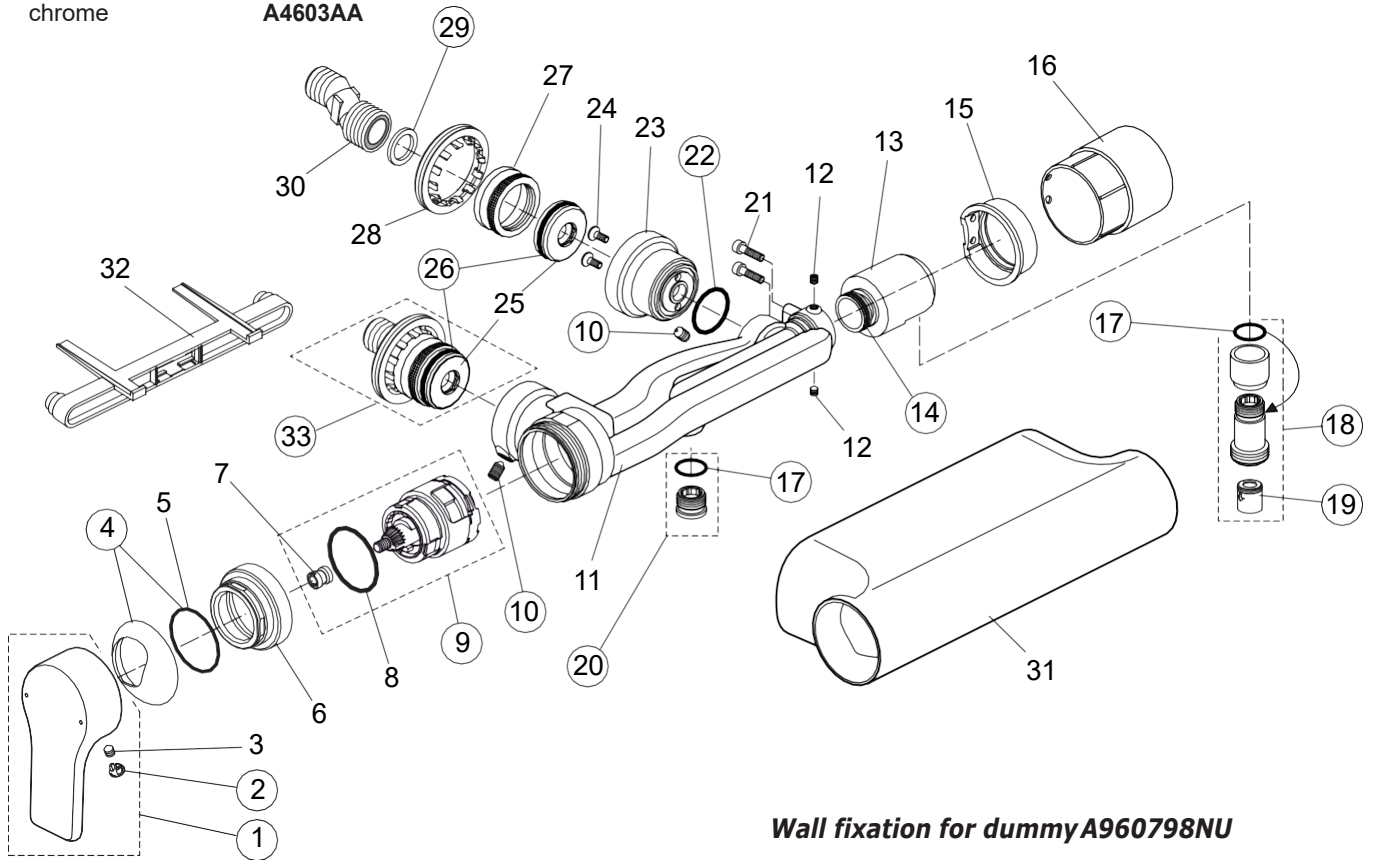


Produced from: April 2009



**SL Shower**  
chrome

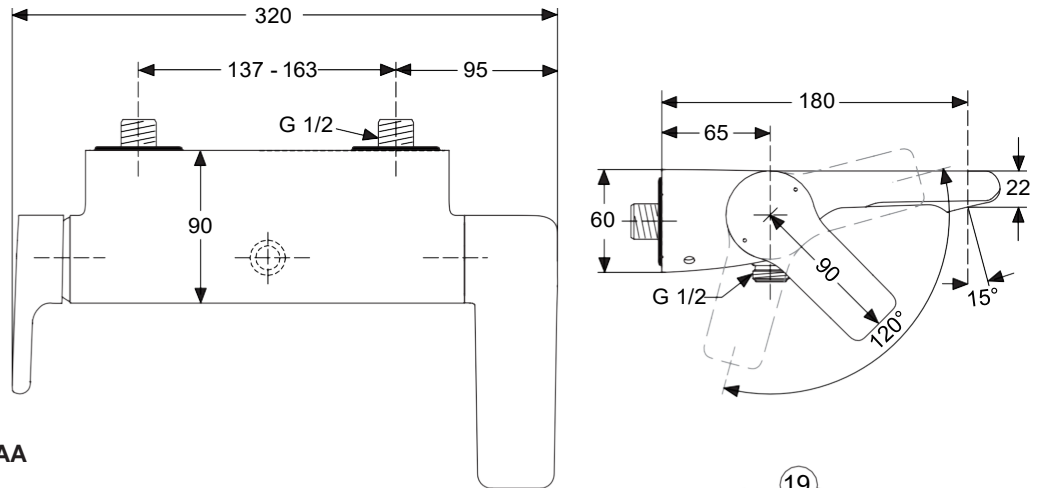
**A4603AA**



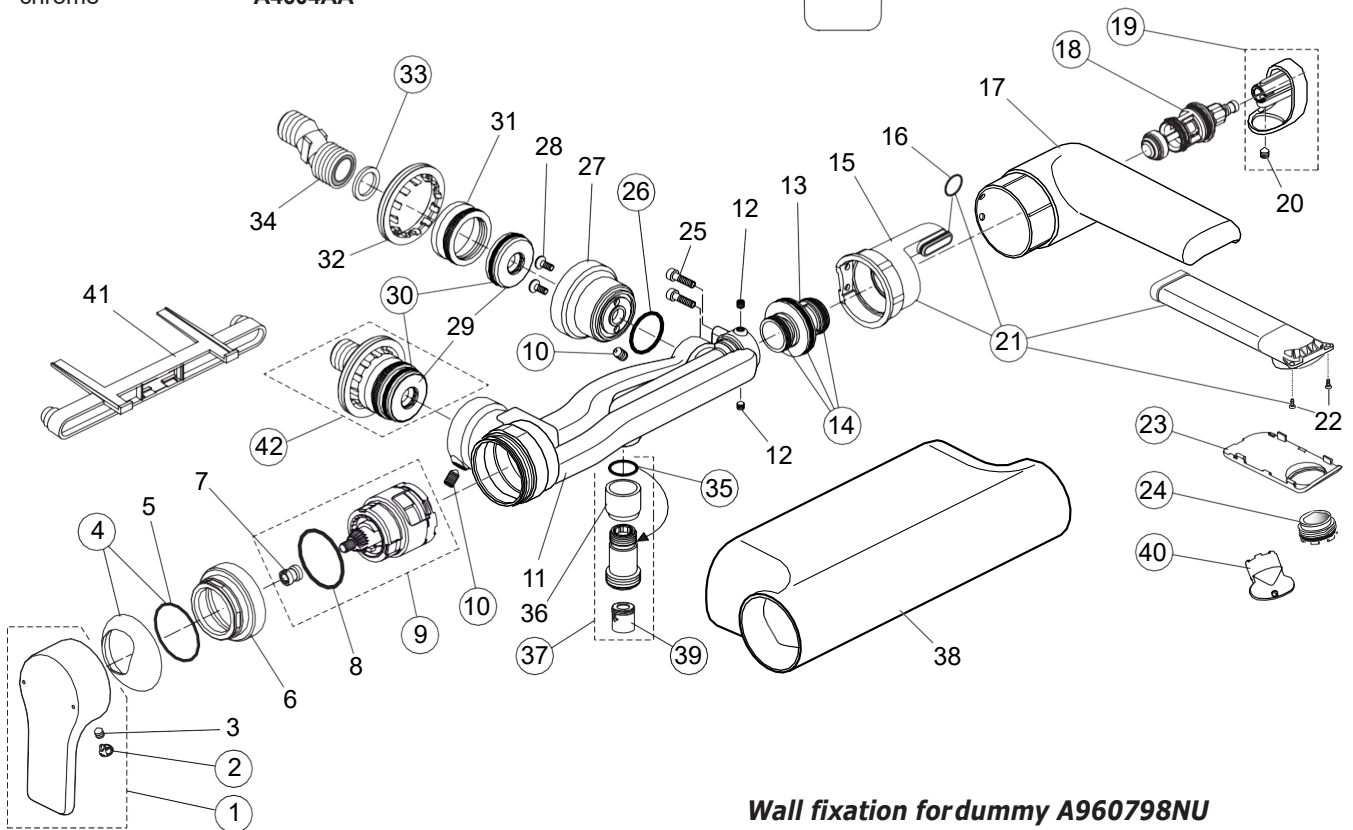
**Wall fixation for dummy A960798NU**

Pos.	Description	Part-Number	Qty.	Pos.	Description	Part-Number	Qty.
1	Lever cpl. with Logo IS	<a href="#">A 960 645 AA</a>	1 pcs	18	Nipple complete	<a href="#">A 962 452 AA</a>	1 pcs
2	Handle cap	<a href="#">B 960 473 AA</a>	1 pcs	19	Non-return valve DW15	<a href="#">A 962 594 NU</a>	1 pcs
3	Thread pin M5x6 DIN914	<a href="#">A 860 603 NU</a>		20	Plug M16 x 1		
4	Cover cap with pos.5	<a href="#">A 960 646 AA</a>	1 pcs	21	Cylindrical screw M4 x 16		
5	O - ring Ø 28,3 x 1,78	<a href="#">A 961 667 NU</a>		22	O - ring Ø 24 x 2	<a href="#">A 961 809 NU</a>	1 pcs
6	Clamping nut M45 x 1,5 Inner thread <a href="#">Clamping nut</a>			23	Adapter f. S-Connector		
7	Handle adapter	<a href="#">A 963 372 NU</a>		24	Countersunk screw M4x10	<a href="#">E 918 373 NU</a>	
8	O - ring Ø 35 x 3,2	<a href="#">A 962 715 NU</a>		25	Coupling nut G3/4		
9	Cartridge Multiport Click	<a href="#">A 962 985 NU</a>	1 pcs	26	O - ring Ø 28 x 3	<a href="#">A 960 071 NU</a>	2 pcs
10	Thread pin M6x10	<a href="#">A 962 857 NU</a>	1 pcs	27	Locknut G3/4		
11	Body for Bath/shower + Shower			28	Plastic ring for escutcheon	<a href="#">F 961 128 NU</a>	
12	Thread pin M4x5 DIN914	<a href="#">Thread pin</a>		29	Fibre ring		
13	Nipple connector				Strainer ( screen )	<a href="#">A 962 595 NU</a>	2 pcs
14	O - ring Ø 18 x 1	<a href="#">A 962 448 NU</a>	1 Set	30	S-Connector	<a href="#">F 961 128 NU</a>	
15	Adapter f. cover			31	Cover Shower		
16	Cover ( f. Shower connector )			32	Template (adjustment for S-connectors ) <a href="#">Template</a>		
17	O - ring Ø 14 x 1,78	<a href="#">A 962 605 NU</a>	1 pcs	33	S-Connector cpl.	<a href="#">F 961 128 NU</a>	1 Set

Produced from: April 2009



**SL Bath / shower**  
chrome **A4604AA**



**Wall fixation for dummy A960798NU**

Pos.	Description	Part-Number	Qty.	Pos.	Description	Part-Number	Qty.
1	Lever cpl. with Logo IS	<a href="#">A 960 645 AA</a>	1 pcs	22	Screw Ejot WN5152 20x5		
2	Handle cap	<a href="#">B 960 473 AA</a>	1 pcs	23	Cover plate aerator	<a href="#">A 960 653 AA</a>	1 pcs
3	Thread pin M5x6 DIN914	<a href="#">A 860 603 NU</a>		24	Aerator M24x1 Cache	<a href="#">A 960 692 NU</a>	1 pcs
4	Cover cap with pos.5	<a href="#">A 960 646 AA</a>	1 pcs	25	Cylindrical screw M4 x 16		
5	O - ring Ø 28,3 x 1,78	<a href="#">A 961 667 NU</a>		26	O - ring Ø 24 x 2	<a href="#">A 961 809 NU</a>	1 pcs
6	Clamping nut M45 x 1,5 Inner thread <a href="#">Clamping nut</a>			27	Adapter f. S-Connector		
7	Handle adapter	<a href="#">A 963 372 NU</a>		28	Countersunk screw M4x10	<a href="#">E 918 373 NU</a>	
8	O - ring Ø 35 x 3,2	<a href="#">A 962 715 NU</a>		29	Coupling nut G3/4		
9	Cartridge Multiport Click	<a href="#">A 962 985 NU</a>	1 pcs	30	O - ring Ø 28 x 3	<a href="#">A 960 071 NU</a>	2 pcs
10	Thread pin M6x10	<a href="#">A 962 857 NU</a>	1 pcs	31	Locknut G3/4		
11	Body for Bath/shower + Shower			32	Plastic ring for escutcheon	<a href="#">A 962 595 NU</a>	2 pcs
12	Thread pin M4x5 DIN914	<a href="#">Thread pin</a>		33	Fibre ring ( screen )	<a href="#">A 962 595 NU</a>	2 pcs
13	Spout adapter			34	S-Connector	<a href="#">F 961 128 NU</a>	
14	O - ring set complete	<a href="#">A 962 448 NU</a>	1 Set	35	O - ring Ø 14 x 1,78	<a href="#">A 962 605 NU</a>	2 pcs
15	Water outlet for bath/shower			36	Decor ring		
16	O - ring Ø 16 x 1,5			37	Nipple complete	<a href="#">A 962 452 AA</a>	1 pcs
17	Spout cover			38	Cover Bath/shower		
18	Diverter complete	<a href="#">A 962 449 NU</a>	1 pcs	39	Non-return valve DW15	<a href="#">A 962 594 NU</a>	2 pcs
19	Pull knob complete	<a href="#">A 962 450 AA</a>	1 pcs	40	Key f. aerator pos. 24	<a href="#">A 960 196 NU</a>	1 pcs

# Attitude A2650NU A4606..



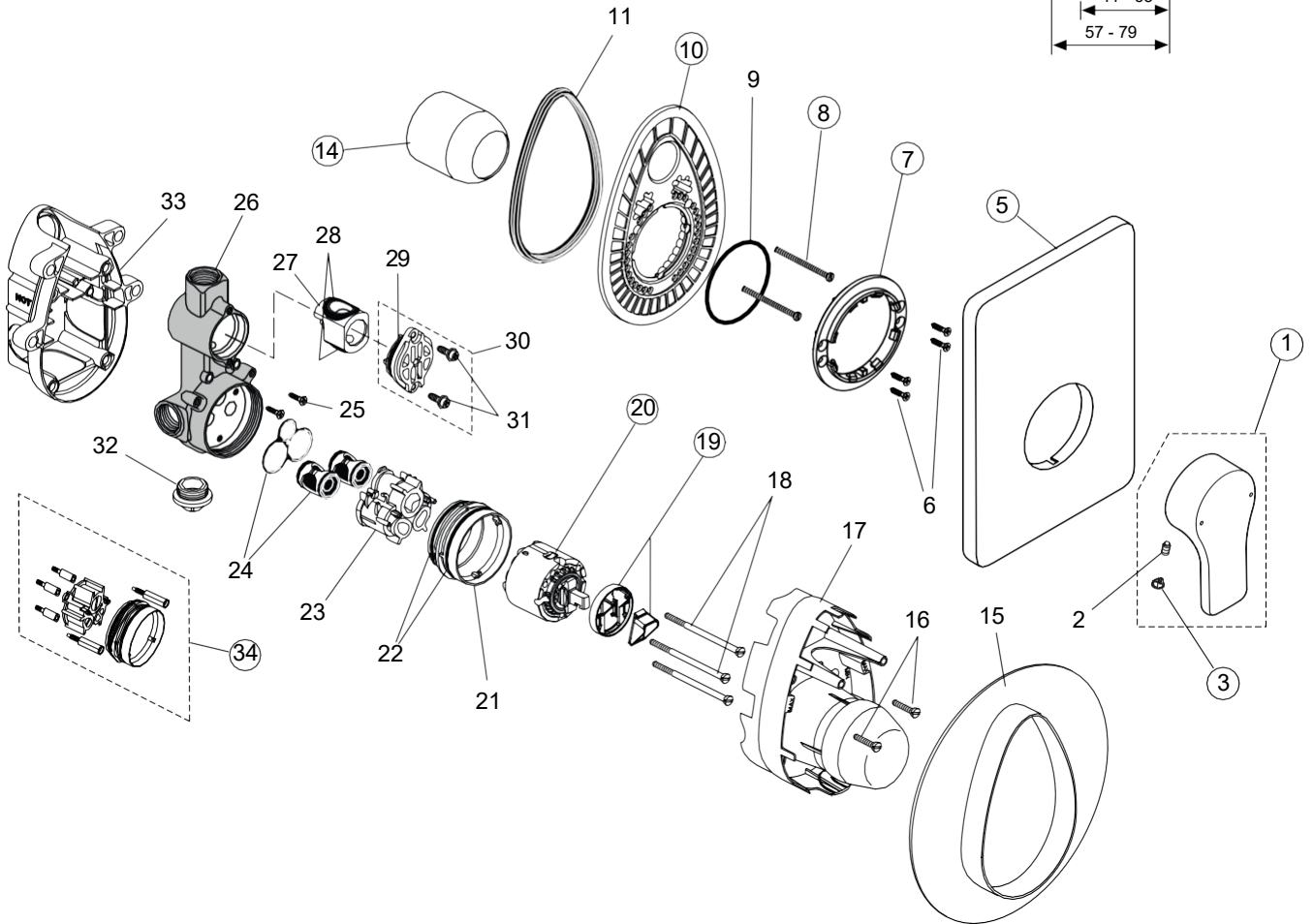
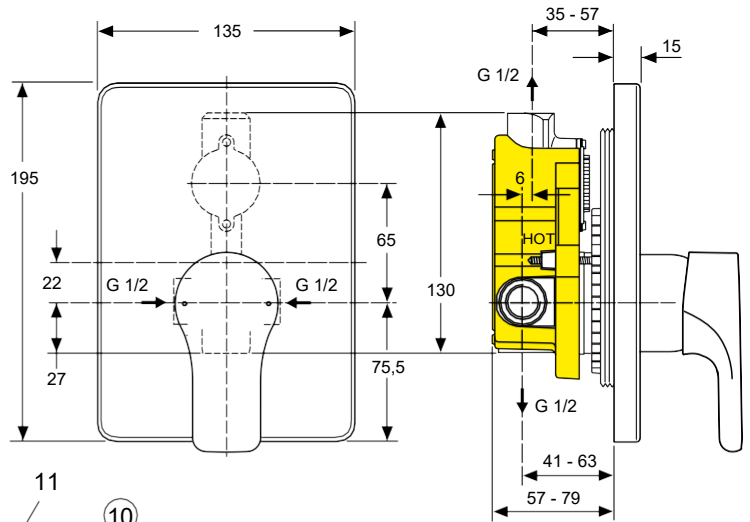
Produced from: April 2009

For Pre-Installation  
Built-in parts

Kit 1  
**A 2650NU**

Design parts  
chrome

Kit 2  
**A4606AA**



Pos.	Description	Part-Number	Qty.	Pos.	Description	Part-Number	Qty.
1	Lever cpl. with Logo IS	<a href="#">A 960 659 AA</a>	1 pcs	21	Plastic ring	<a href="#">A 861 001 NU</a>	
2	Thread pin M5x10 DIN915	<a href="#">A 963 309 NU</a>		22	O - Ring Ø 47,3 x 1,78	<a href="#">A 963 160 NU</a>	
3	Handle cap	<a href="#">B 960 473 AA</a>	1 pcs	23	Plastic insert	<a href="#">A 861 000 NU</a>	
5	Escutcheon w/o Logo	<a href="#">A 960 674 AA</a>	1 pcs	24	Low noise insert complete	<a href="#">A 963 524 NU</a>	
6	Ejot-PT-Screw KA35x16			25	Ejot-PT-Screw KA35x16		
7	Escutcheon holder+Pos.6	<a href="#">A 962 107 NU</a>	1 pcs	26	Body ( built-in version )		
8	Cylindrical screw M4x39	<a href="#">A 963 176 NU</a>	3 pcs	27	Insert for diverter	<a href="#">A 923 376 NU</a>	
9	O - Ring Set			28	O - Ring Set to Pos.27	<a href="#">A 923 376 NU</a>	
10	Escutcheon holder cpl.	<a href="#">A 963 447 NU</a>	1 pcs	29	O - Ring Ø 28,3 x 1,78	<a href="#">A 961 667 NU</a>	
11	Seal ring ( Profil )	<a href="#">A 963 444 NU</a>		30	Cover complete	<a href="#">A 963 412 NU</a>	
14	Cap	<a href="#">A 963 571 AA</a>	1 pcs	31	Screw M4 x 12		
15	Sealing frame	<a href="#">Sealing frame</a>		32	Plug G1/2		
16	Cylindrical screw M4x10	<a href="#">E 918 373 NU</a>		33	Plastic box		
17	Plaster guard			34	Extension - Set 20mm	<a href="#">A 963 541 NU</a>	1 Set
18	Cylindrical screw M4x69	<a href="#">A 963 783 NU</a>		35	Distance frame	<b>not available</b>	
19	ECO - Kit	<a href="#">A 860 700 NU</a>	1 Set				
20	Cartridge Ø47 + Pos.19	<a href="#">A 960 500 NU</a>	1 pcs				

tt | e

# Attitude A2650NU A4607..



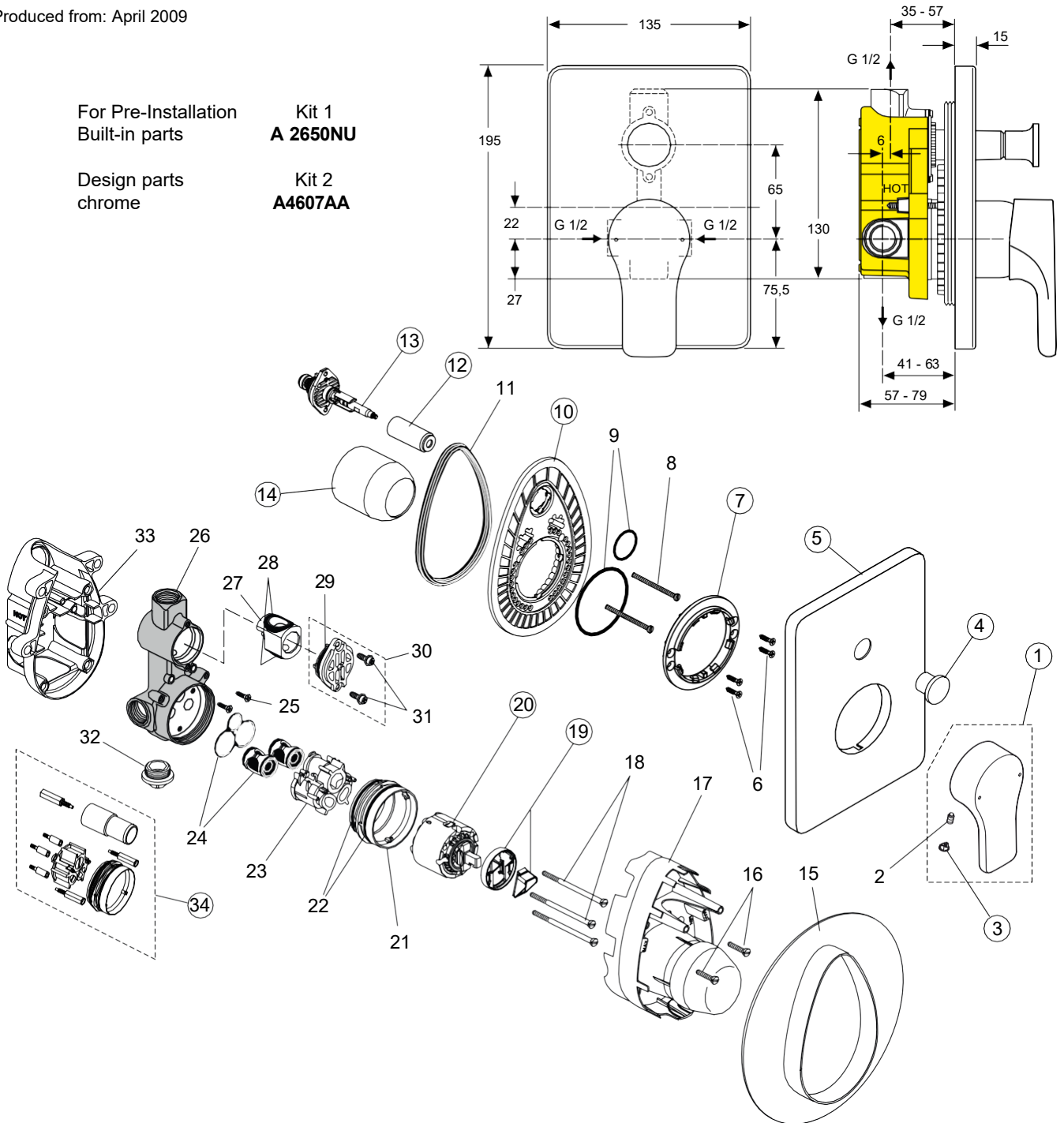
Produced from: April 2009

For Pre-Installation  
Built-in parts

Kit 1  
**A 2650NU**

Design parts  
chrome

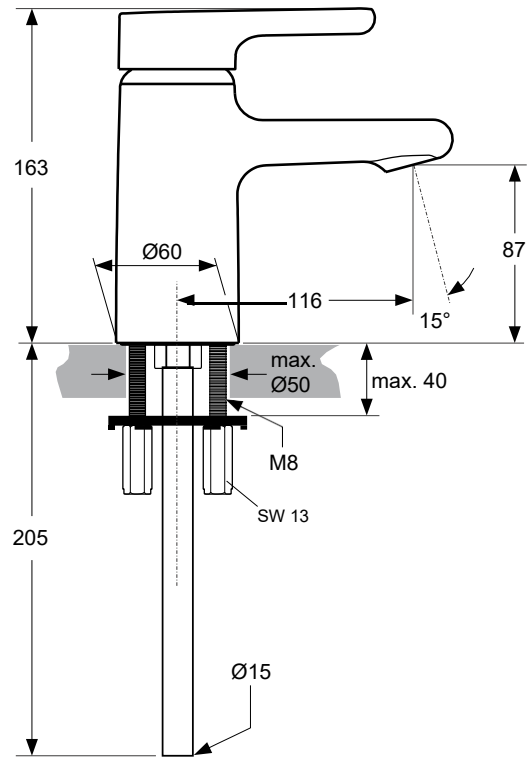
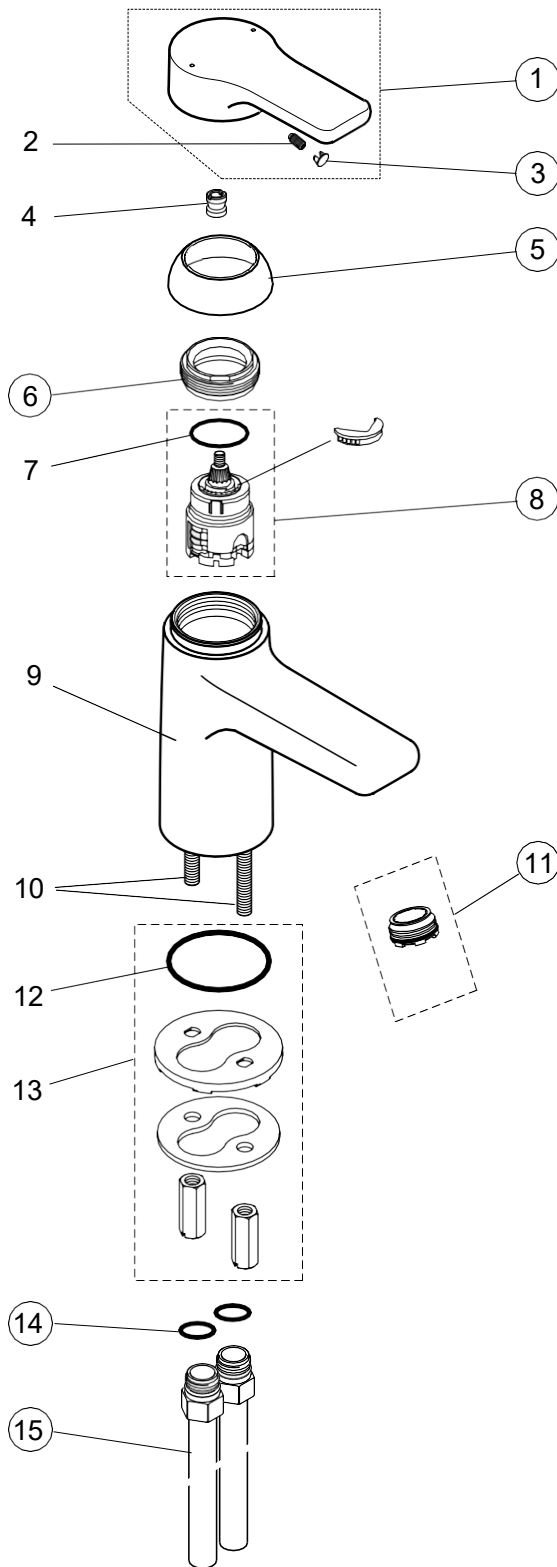
Kit 2  
**A4607AA**



Pos.	Description	Part-Number	Qty.	Pos.	Description	Part-Number	Qty.
1	Lever cpl. with Logo IS	<a href="#">A 960 659 AA</a>	1 pcs	19	ECO - Kit	<a href="#">A 860 700 NU</a>	1 Set
2	Thread pin M5x10 DIN915	<a href="#">A 963 309 NU</a>		20	Cartridge Ø47 + Pos.19	<a href="#">A 960 500 NU</a>	1 pcs
3	Handle cap	<a href="#">B 960 473 AA</a>	1 pcs	21	Plastic ring	<a href="#">A 861 001 NU</a>	
4	Pull knob f. Diverter	<a href="#">A 961 857 AA</a>	1 pcs	22	O - Ring Ø 47,3 x 1,78	<a href="#">A 963 160 NU</a>	
5	Escutcheon w/o Logo	<a href="#">A 960 680 AA</a>	1 pcs	23	Plastic insert	<a href="#">A 861 000 NU</a>	
6	Ejot-PT-Screw KA35x16			24	Low noise insert complete	<a href="#">A 963 524 NU</a>	
7	Escutcheon holder+Pos.6	<a href="#">A 962 107 NU</a>	1 pcs	25	Ejot-PT-Screw KA35x16		
8	Cylindrical screw M4x39	<a href="#">A 963 176 NU</a>		26	Body ( built-in version )		
9	O - Ring Set			27	Insert for diverter	<a href="#">A 923 376 NU</a>	
10	Escutcheon holder cpl.	<a href="#">A 963 441 NU</a>	1 pcs	28	O - Ring Set to Pos.27	<a href="#">A 923 376 NU</a>	
11	Seal ring ( Profil )	<a href="#">A 963 444 NU</a>		29	O - Ring Ø 28,3 x 1,78	<a href="#">A 961 667 NU</a>	
12	Cap f. Diverter	<a href="#">A 963 442 AA</a>	1 pcs	30	Cover complete	<a href="#">A 963 412 NU</a>	
13	Diverter complete	<a href="#">A 963 443 NU</a>	1 pcs	31	Screw M4 x 12		
14	Cap	<a href="#">A 963 571 AA</a>	1 pcs	32	Plug G1/2		
15	Sealing frame	<a href="#">Sealing frame</a>		33	Plastic box		
16	Cylindrical screw M4x10	<a href="#">E 918 373 NU</a>		34	Extension - Set 20mm	<a href="#">A 963 542 NU</a>	1 Set
17	Plaster guard			35	Distance frame	<b>not available</b>	
18	Cylindrical screw M4x69	<a href="#">A 963 783 NU</a>					

Attitude

Produced from: April 2009



**SL bathfiller**  
with copper tubes  
chrome **A4609AA**

Pos.	Description	Part-Number	Qty.	Pos.	Description	Part-Number	Qty.
1	Lever cpl. with Logo IS	<b>A 960 690 AA</b>	1 pcs	9	Body		
2	Thread pin M5x6 DIN914	<a href="#">A 860 603 NU</a>		10	Stud M8 x 56		
3	Handle cap	<a href="#">B 960 473 AA</a>	1 pcs	11	Aerator M24 x 1	<a href="#">A 960 692 NU</a>	1 pcs
4	Handle adapter included in pos. 8			12	O - ring Ø 50,39 x 3,53		
5	Cover cap	<b>A 960 691 AA</b>	1 pcs	13	Fixation-set		
6	Clamping nut M43 x 1,5	<a href="#">Clamping nut</a>		14	O - ring Ø 15,6 x 1,78	<b>A 961 182 NU</b>	2 pcs
7	O - Ring Ø 35 x 3,2	<a href="#">A 962 715 NU</a>		15	Copper tube Ø15 - M18x1	<b>A 960 133 NU</b>	1 pcs
8	Cartr. Multiport Highflow	<b>A 960 145 NU</b>	1 pcs				

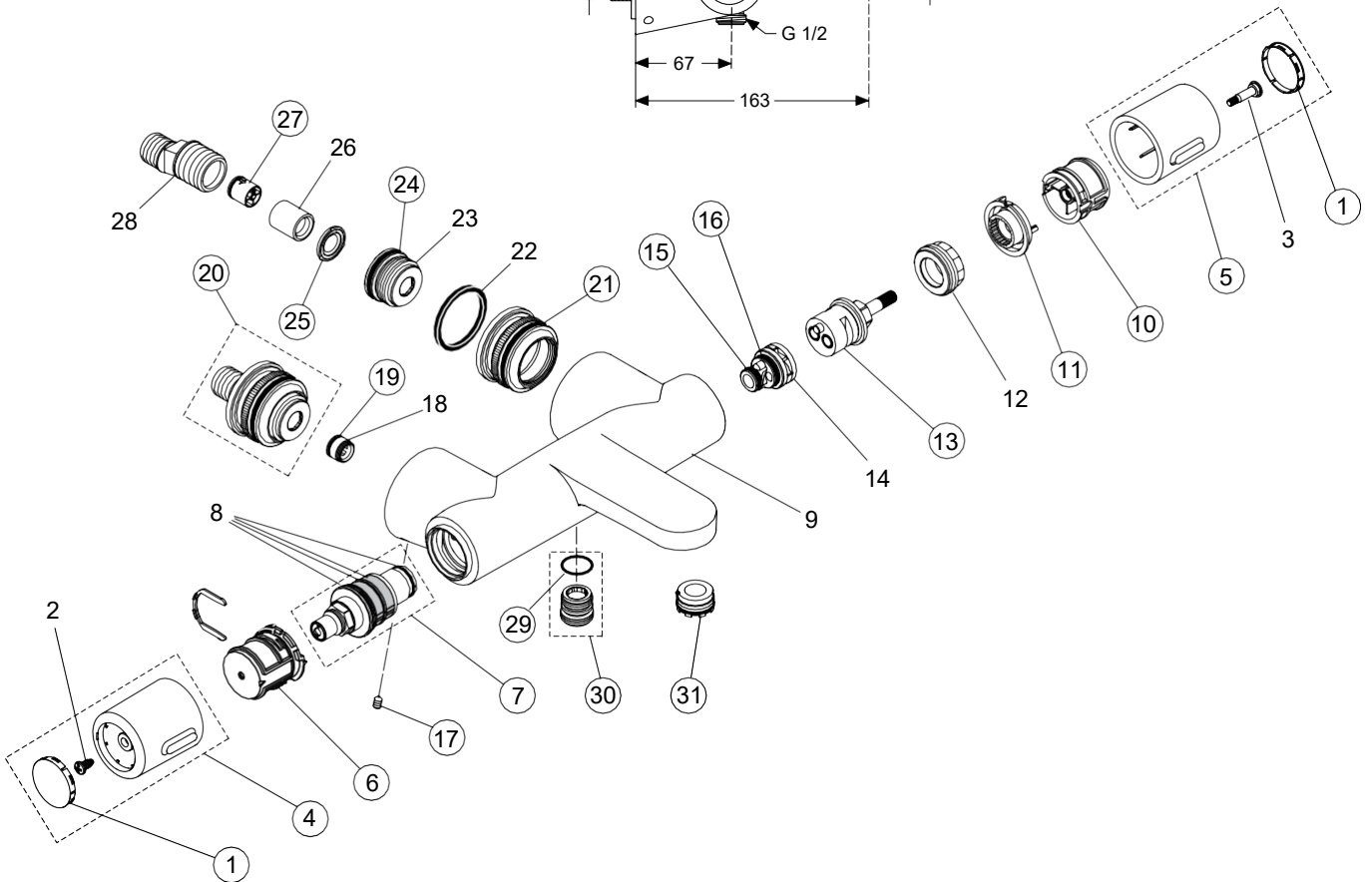
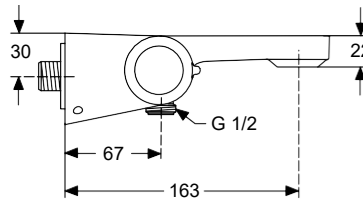
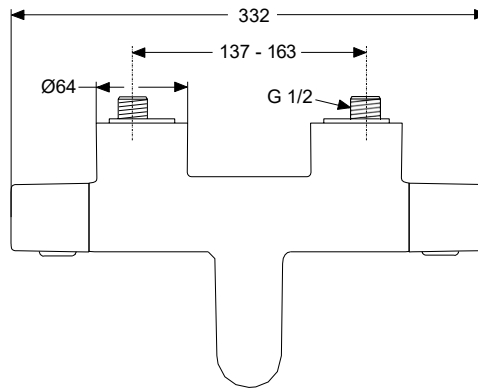


Produced from: January 2010

Bath/Shower Thermostat Exposed

chrome

**A4611AA**



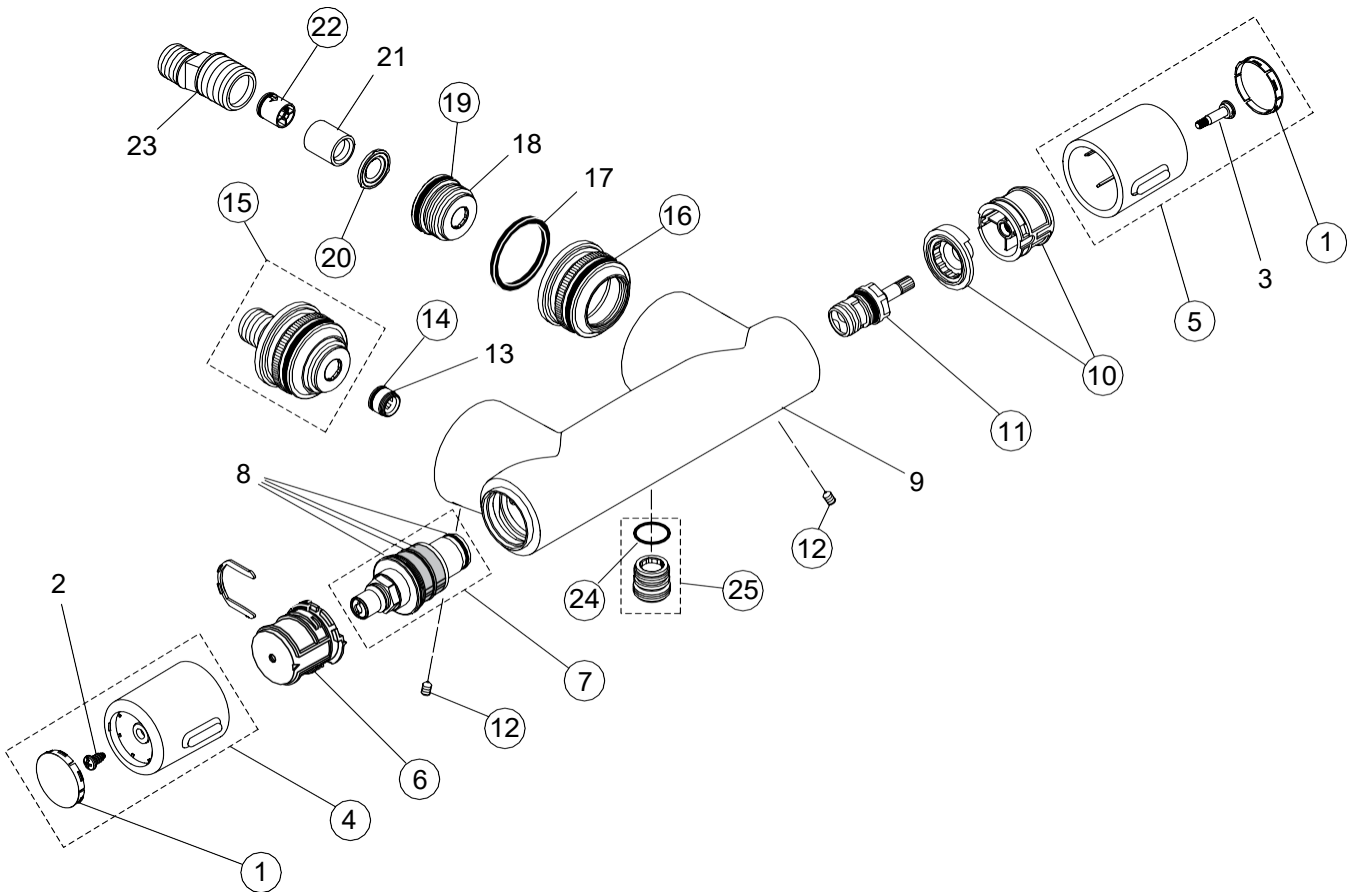
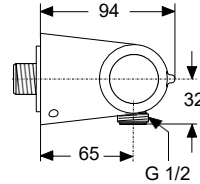
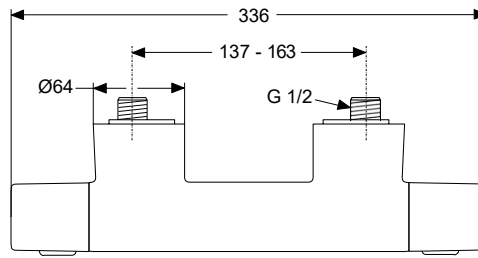
Pos.	Description	Part-Number	Qty.	Pos.	Description	Part-Number	Qty.
1	Handle cap	<a href="#">A 961 494 AA</a>	1 pcs	17	Thread pin M6 x 10	<a href="#">A 962 857 NU</a>	1 pcs
2	EJOT-PT-Screw KB 50x10	<a href="#">A 918 416 NU</a>		18	Seat M14 x 1		
3	Screw for handle M4x23,5	<a href="#">A 962 998 NU</a>		19	O - ring Ø 11 x 1,5	<a href="#">A 962 218 NU</a>	2 pcs
4	Temp.handle complete	<a href="#">A 962 524 AA</a>	1 pcs	20	S - Connector complete	<a href="#">A 962 569 NU</a>	2 pcs
5	Volume control handle cpl.	<a href="#">A 962 525 AA</a>	1 pcs	21	O - ring Ø 43 x 3	<a href="#">A 961 623 NU</a>	1 pcs
6	Temp.-adjustment	<a href="#">A 963 427 NU</a>	1 pcs	22	Washer		
7	Cartridge G1/2 complete	<a href="#">A 962 229 NU</a>	1 pcs	23	Coupling nut	<a href="#">A 962 569 NU</a>	
8	Repair set cartridge			24	O - ring Ø 28 x 3	<a href="#">A 960 071 NU</a>	2 pcs
9	Body			25	Screen	<a href="#">A 962 160 NU</a>	2 pcs
10	Handle insert universal	<a href="#">A 963 432 NU</a>	1 Set	26	Adapter / sleeve	<a href="#">A 962 569 NU</a>	
11	Stop ring	<a href="#">A 962 563 NU</a>	1 pcs	27	Non-return valve DW15	<a href="#">A 962 594 NU</a>	2 pcs
12	Clamping nut M34 x 1,5	<a href="#">Clamping nut</a>		28	S - Connector	<a href="#">A 962 569 NU</a>	
13	Stop valve + diverter	<a href="#">A 962 568 NU</a>	1 pcs	29	O - ring Ø 17 x 2	<a href="#">A 961 810 NU</a>	2 pcs
14	Manifold f. diverter			30	Nipple complete	<a href="#">A 963 651 NU</a>	1 pcs
15	O - ring Ø 12,42 x 1,78	<a href="#">A 961 332 NU</a>	1 pcs	31	Aerator M24 x 1 - with key	<a href="#">A 960 395 NU</a>	1 pcs
16	O - ring Ø 18,77 x 1,78	<a href="#">A 962 529 NU</a>	1 pcs		Universal-Set aerator key	<a href="#">A 960 196 NU</a>	1 Set

Attitude

Produced from: January 2010

Shower Thermostat Exposed

chrome **A4612AA**



Pos.	Description	Part-Number	Qty.	Pos.	Description	Part-Number	Qty.
1	Handle cap	<a href="#">A 961 494 AA</a>	1 pcs	14	O - ring Ø 11 x 1,5	<a href="#">A 962 218 NU</a>	2 pcs
2	EJOT-PT-Screw KB 50x10	<a href="#">A 918 416 NU</a>		15	S - Connector complete	<a href="#">A 962 569 NU</a>	2 pcs
3	Screw for handle M4x23,5	<a href="#">A 962 998 NU</a>		16	O - ring Ø 43 x 3	<a href="#">A 961 623 NU</a>	1 pcs
4	Temp.handle complete	<a href="#">A 962 524 AA</a>	1 pcs	17	Washer		
5	Volume control handle cpl.	<a href="#">A 962 525 AA</a>	1 pcs	18	Coupling nut	<a href="#">A 962 569 NU</a>	
6	Temp.-adjustment	<a href="#">A 963 427 NU</a>	1 pcs	19	O - ring Ø 28 x 3	<a href="#">A 960 071 NU</a>	2 pcs
7	Cartridge G1/2 complete	<a href="#">A 962 229 NU</a>	1 pcs	20	Screen	<a href="#">A 962 160 NU</a>	2 pcs
8	Repair set cartridge			21	Adapter / sleeve	<a href="#">A 962 569 NU</a>	
9	Body			22	Non-return valve DW15	<a href="#">A 962 594 NU</a>	2 pcs
10	Handle insert universal	<a href="#">A 963 432 NU</a>	1 Set	23	S - Connector	<a href="#">A 962 569 NU</a>	
11	Headwork ( cartridge )	<a href="#">A 963 400 NU</a>	1 pcs	24	O - ring Ø 17 x 2	<a href="#">A 961 810 NU</a>	2 pcs
12	Thread pin M6 x 10	<a href="#">A 962 857 NU</a>	1 pcs	25	Nipple complete	<a href="#">A 963 651 NU</a>	1 pcs
13	Seat M14 x 1						

Attitude

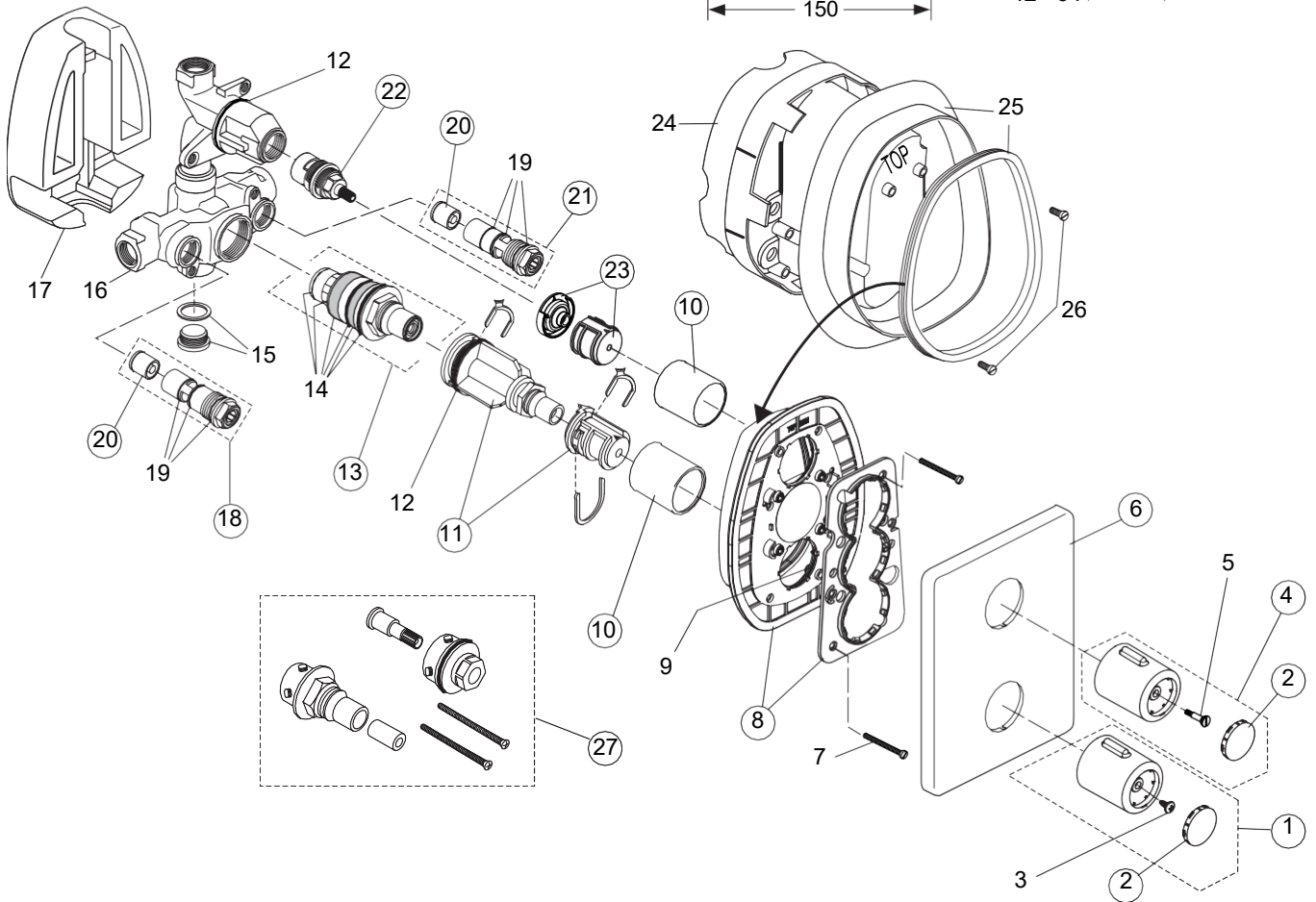
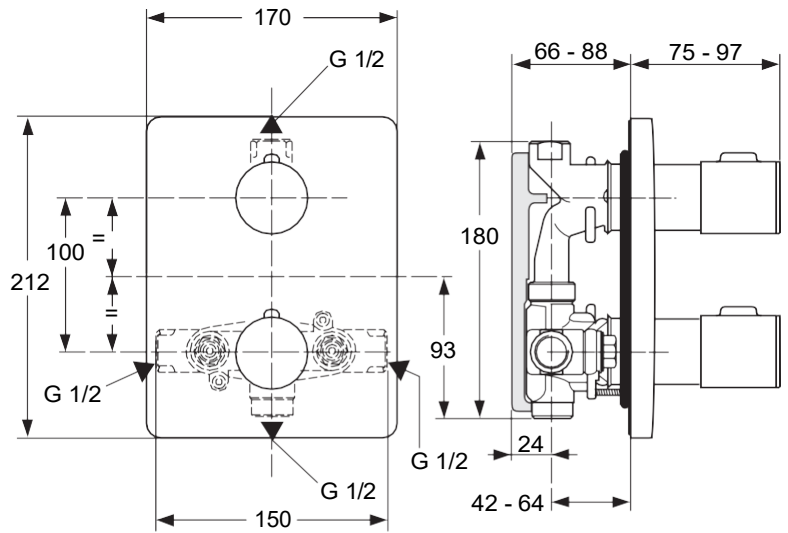
Produced from: April 2009

For Pre-Installation  
Built-in parts

Kit 1  
**A 2353NU**

Design parts  
chrome

Kit 2  
**A4613AA**



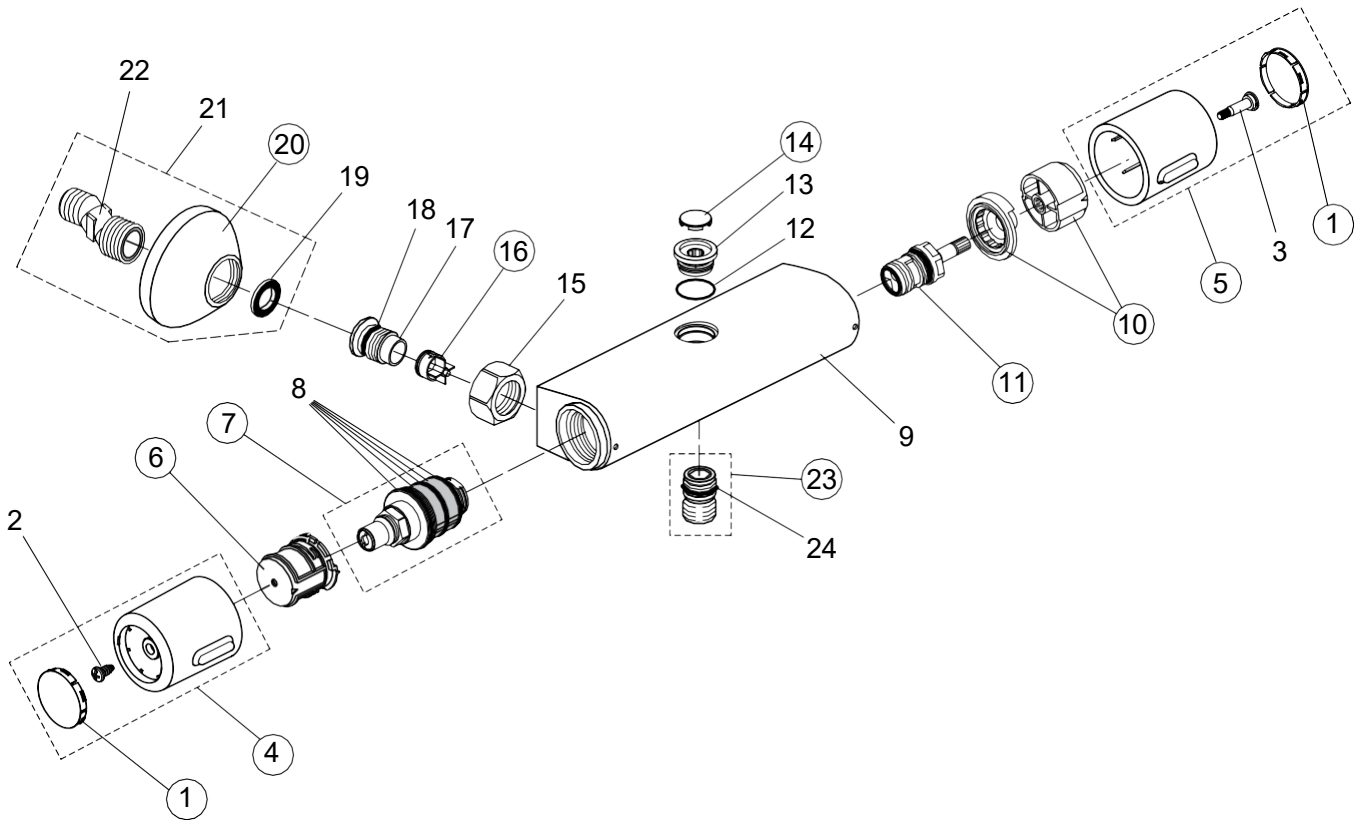
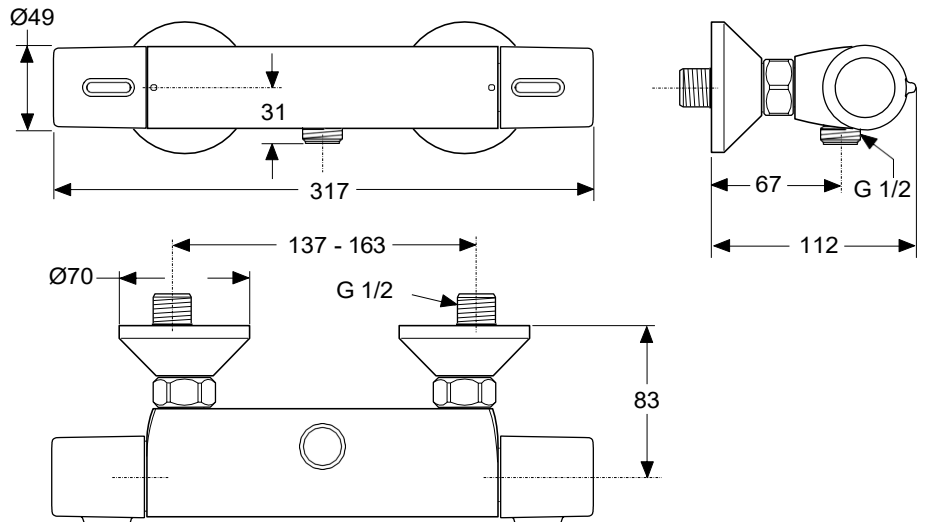
Pos.	Description	Part-Number	Qty.	Pos.	Description	Part-Number	Qty.
1	Temperature handle cpl.	<a href="#">A 960 701 AA</a>	1 pcs	16	Body		
2	Handle cap	<a href="#">A 961 494 AA</a>	1 pcs	17	Styrofoam protector		
3	Ejot PT-Screw KB50x10	<a href="#">A 918 416 NU</a>		18	Non-return+stop valve hot	<a href="#">A 963 430 NU</a>	1 pcs
4	Volume control handle	<a href="#">A 960 702 AA</a>	1 pcs	19	O - Ring set		
5	Screw for handle M4x23,5	<a href="#">A 962 998 NU</a>		20	Check valve	<a href="#">A 962 594 NU</a>	2 pcs
6	Escutcheon	<a href="#">A 960 703 AA</a>	1 pcs	21	Non-return+stop valve cold	<a href="#">A 963 433 NU</a>	1 pcs
7	Cylindrical screw M4x39	<a href="#">A 963 176 NU</a>		22	Headwork ( cartridge )	<a href="#">A 963 400 NU</a>	1 pcs
8	Escutcheon holder set	<a href="#">A 963 425 NU</a>	1 Set	23	Handle insert Universal	<a href="#">A 963 432 NU</a>	1 Set
9	O - Ring Ø43 x 3	<a href="#">A 961 623 NU</a>		24	Plaster guard		
10	Cover cap	<a href="#">A 963 426 AA</a>	1 pcs	25	Sealing frame + ring		
11	Temperature adjustment	<a href="#">A 963 427 NU</a>	1 pcs	26	Cylindrical screw M4 x10	<a href="#">E 918 373 NU</a>	
12	O-ring Ø 37,77 x 2,62	<a href="#">A 963 427 NU</a>		27	Extension Universal Set		
13	Thermostatic cartridge	<a href="#">A 962 229 NU</a>	1 pcs		Kit 22mm longer	<b>A 963 434 NU</b>	1 Set
14	Repair-set cartridge				Distance frame	<b>not available</b>	
15	Plug with Fibre ring						

Produced from: April 2009

Shower Thermostat Exposed

chrome

**A4614AA**



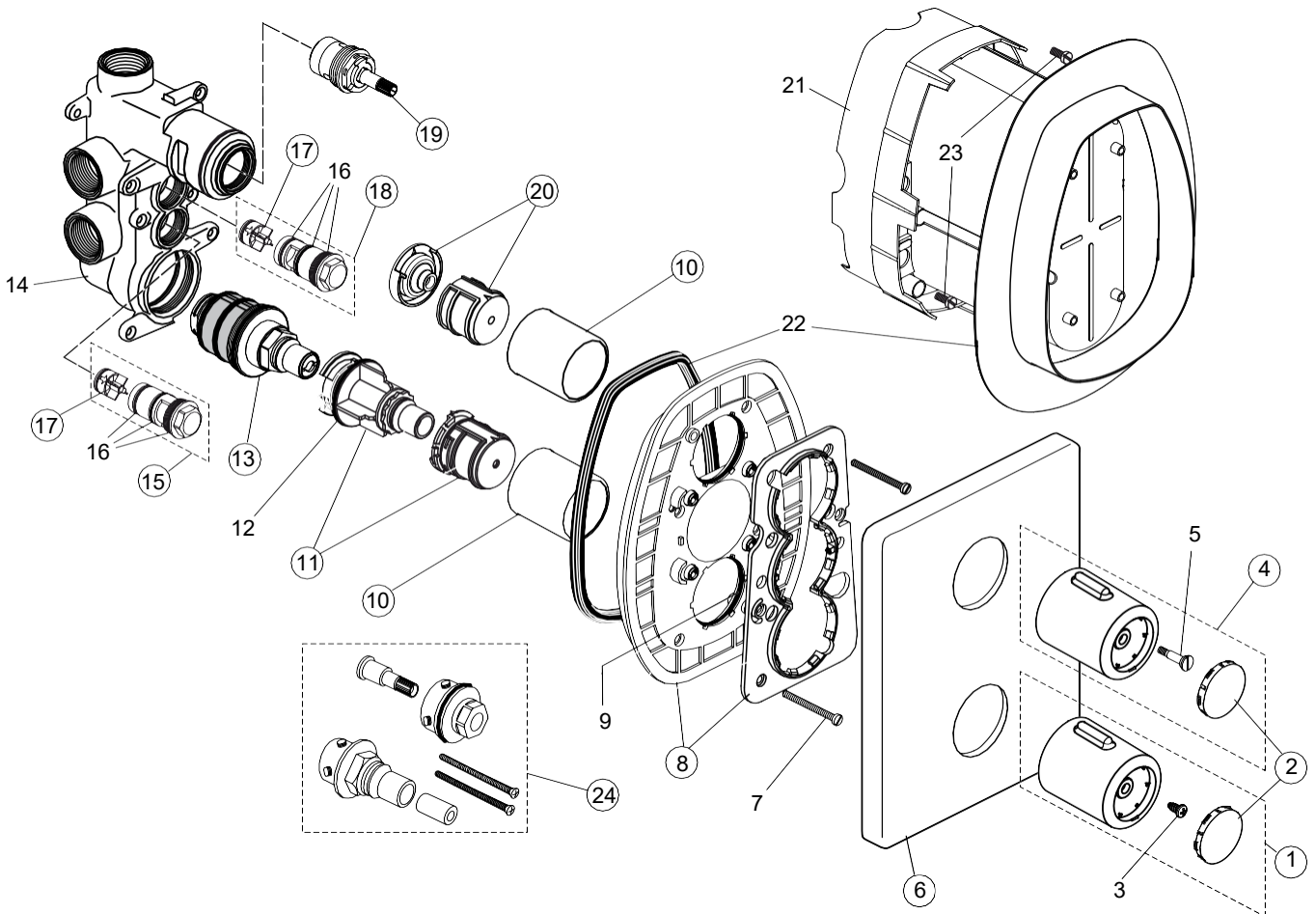
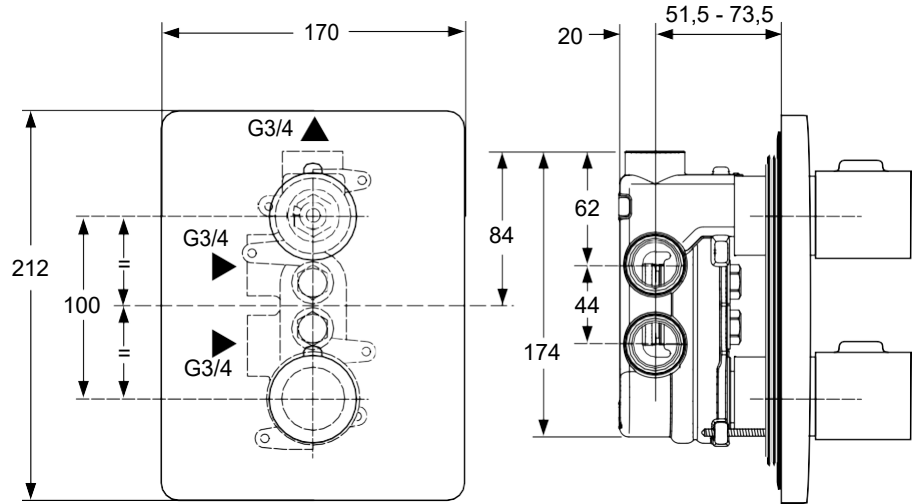
Pos.	Description	Part-Number	Qty.	Pos.	Description	Part-Number	Qty.
1	Handle cap	<b>A 961 494 AA</b>	1 pcs	15	Coupling nut	<a href="#">Coupling nut</a>	
2	EJOT-PT-Screw KB 50x10	<a href="#">A 918 416 NU</a>		16	Non-return valve OV15	<b>A 860 415 NU</b>	1 pcs
3	Screw for handle M4x23,5	<a href="#">A 962 998 NU</a>		17	Seat M20 x 1 left thread	<a href="#">Seat</a>	
4	Temp.handle complete	<a href="#">A 960 701 AA</a>	1 pcs	18	O-ring Ø 17 x 2	<a href="#">A 961 810 NU</a>	
5	Volume control handle cpl.	<b>A 960 702 AA</b>	1 pcs	19	Fibre ring Ø 24/15 x 2	<a href="#">A 955 094 NU</a>	
6	Temp.-adjustment	<a href="#">A 963 427 NU</a>	1 pcs	20	Escutcheon	<b>A 960 914 AA</b>	1 pcs
7	Cartridge G3/4 complete	<b>A 960 587 NU</b>	1 pcs	21	S - Connector complete	<a href="#">B 952 227 AA</a>	
8	Repair set cartridge			22	S - Connector	<a href="#">N 045 939 NU</a>	
9	Body			23	Nipple complete	<a href="#">A 963 651 NU</a>	1 pcs
10	Handle insert universal	<a href="#">A 963 432 NU</a>	1 pcs	24	O-Ring Ø 17 x 2	<a href="#">A 961 810 NU</a>	
11	Headwork ( cartridge )	<a href="#">A 960 462 NU</a>	1 pcs				
12	O - ring Ø 17 x 2	<a href="#">A 961 810 NU</a>					
13	Plug M20 x 1						
14	Cover button	<b>E 960 641 AA</b>	1 pcs				

Produced from: April 2009

Individual thermostat built-in

chrome

**A4615AA**

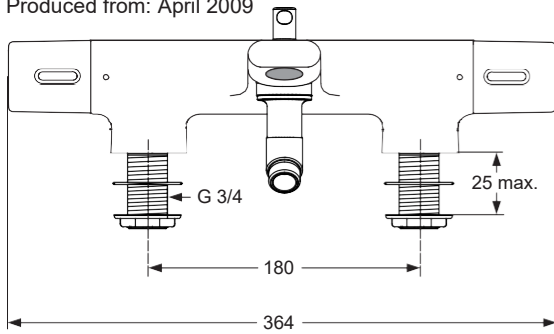


Pos.	Description	Part-Number	Qty.	Pos.	Description	Part-Number	Qty.
1	Temperature handle cpl.	<a href="#">A 960 701 AA</a>	1 pcs	15	Non-return+stop valve cold	<a href="#">A 960 588 NU</a>	1 pcs
2	Handle cap	<a href="#">A 961 494 AA</a>	1 pcs	16	O - Ring set		
3	Ejot PT-Screw KB50x10	<a href="#">A 918 416 NU</a>		17	Check valve	<a href="#">A 860 415 NU</a>	1 pcs
4	Volume control handle	<a href="#">A 960 702 AA</a>	1 pcs	18	Non-return+stop valve hot	<a href="#">A 960 589 NU</a>	1 pcs
5	Screw for handle M4x23,5	<a href="#">A 962 998 NU</a>		19	Headwork ( cartridge )	<a href="#">A 960 462 NU</a>	1 pcs
6	Escutcheon	<a href="#">A 960 703 AA</a>	1 pcs	20	Handle insert Universal	<a href="#">A 963 432 NU</a>	1 Set
7	Cylindrical screw M4x48			21	Plaster guard		
8	Escutcheon holder set	<a href="#">A 963 425 NU</a>	1 Set	22	Sealing frame + ring		
9	O - Ring Ø43 x 3	<a href="#">A 961 623 NU</a>		23	Cylindrical screw M4 x10	<a href="#">E 918 373 NU</a>	
10	Cover cap	<a href="#">A 963 426 AA</a>	1 pcs	24	Extension Universal Set		
11	Temperature adjustment	<a href="#">A 963 427 NU</a>	1 pcs		Kit 22mm longer	<a href="#">A 963 434 NU</a>	1 Set
12	O-ring Ø 37,77 x 2,62	<a href="#">A 963 427 NU</a>					
13	Thermostatic cartridge	<a href="#">A 960 587 NU</a>	1 pcs				
14	Body				Distance frame	<b>not available</b>	

t i t l e



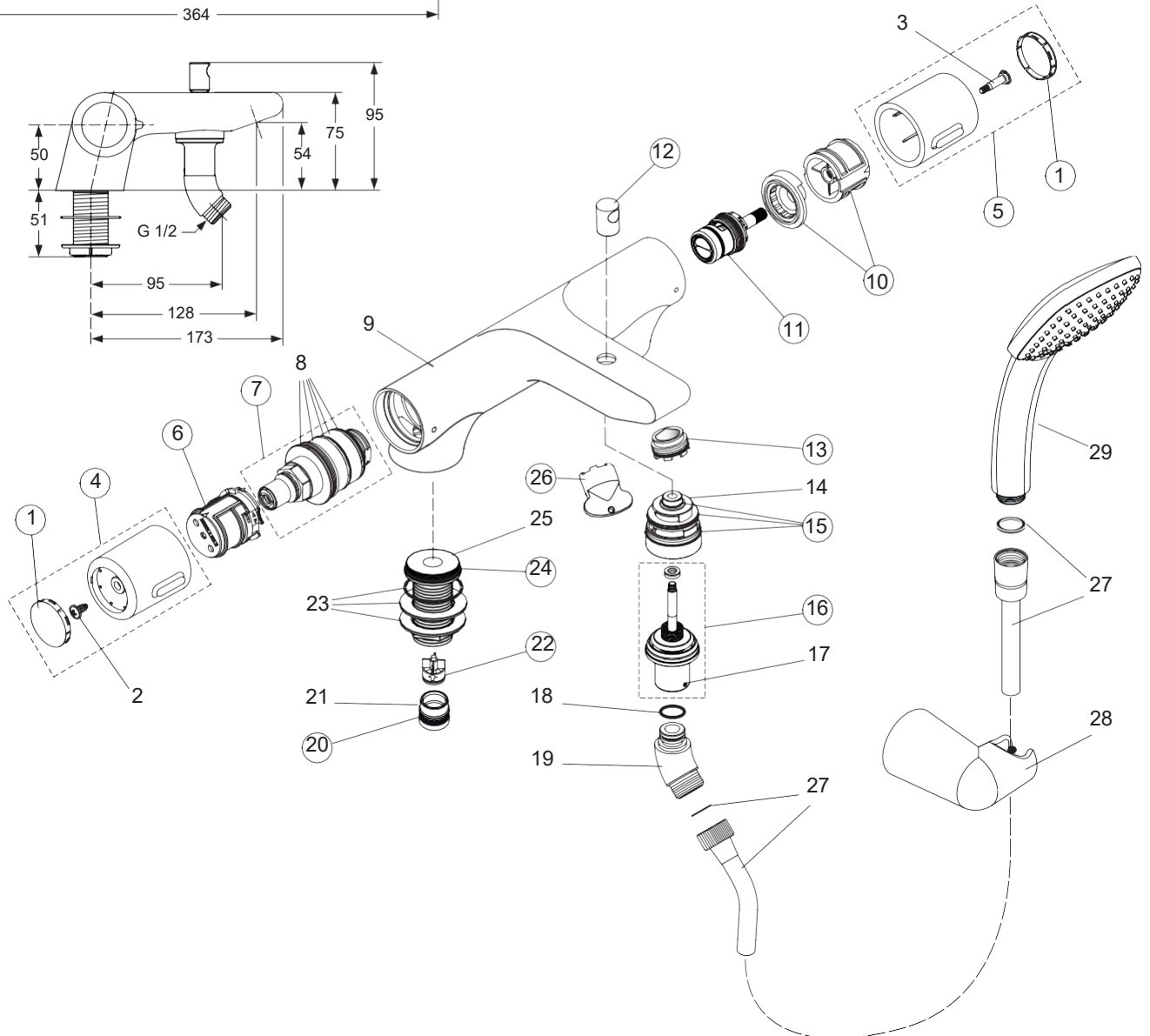
Produced from: April 2009



Rim mounted Thermostat B/Shr.

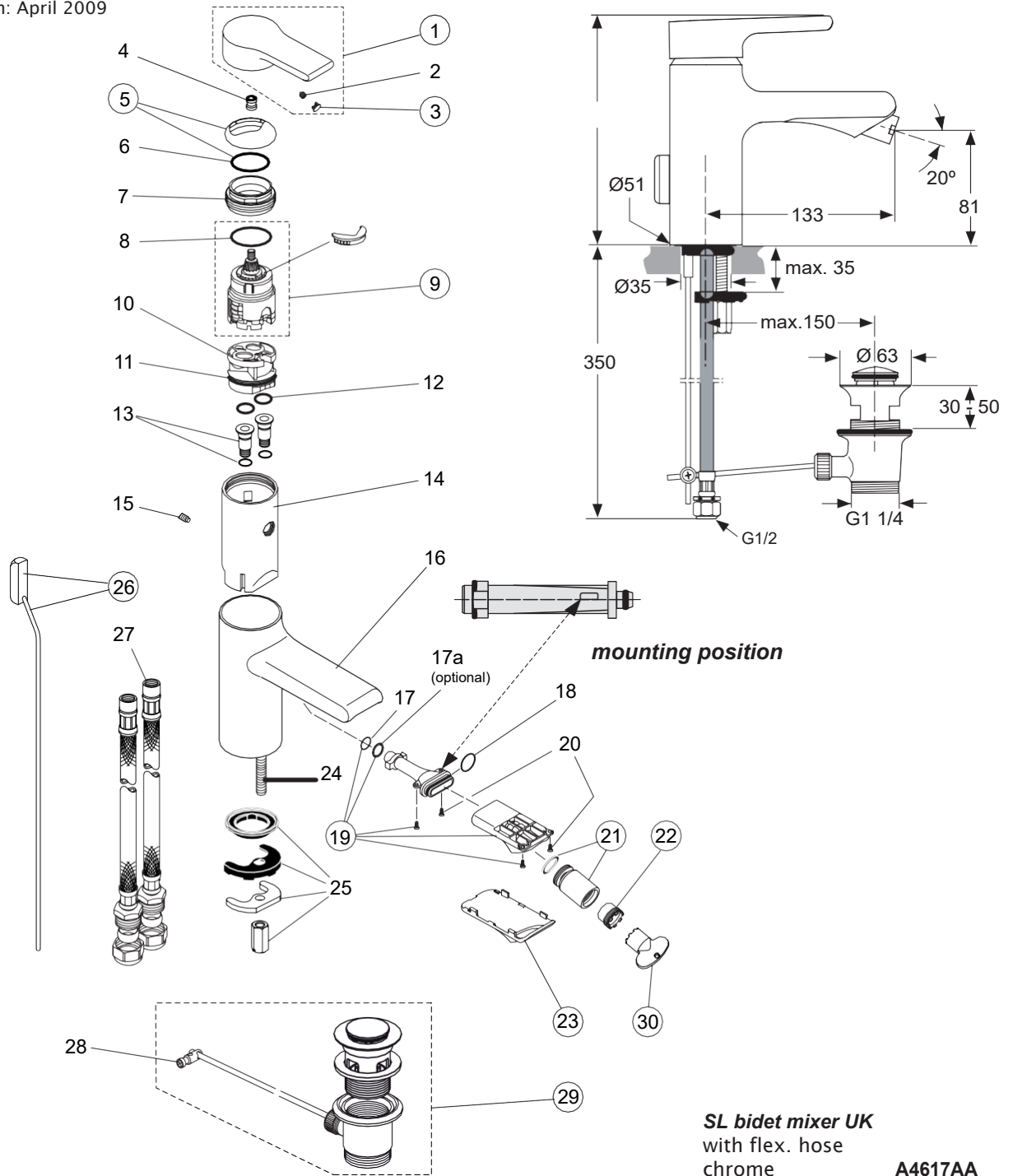
chrome

**A4616AA**



Pos.	Description	Part-Number	Qty.	Pos.	Description	Part-Number	Qty.
1	Handle cap	<b>A 961 494 AA</b>	1 pcs	15	O-ring set for pos. 14	<b>A 962 062 NU</b>	1 pcs
2	EJOT-PT-Screw KB 50x10	<a href="#">A 918 416 NU</a>		16	Diverter inner parts cpl.	<b>A 962 063 AA</b>	1 pcs
3	Screw for handle M4x23,5	<a href="#">A 962 998 NU</a>		17	Thread pin M3x4 DIN 913		
4	Temp.handle complete	<a href="#">A 960 701 AA</a>	1 pcs	18	O-ring Ø 14 x 1,78	<a href="#">A 962 605 NU</a>	
5	Volume control handle cpl.	<b>A 963 701 AA</b>	1 pcs	19	Elbow for shower hose		
6	Temp.-adjustment	<a href="#">A 963 427 NU</a>	1 pcs	20	O-ring Ø17 x 2	<a href="#">A 961 810 NU</a>	2 pcs
7	Cartridge G3/4 complete	<b>A 960 587 NU</b>	1 pcs	21	Nipple M20 x 1		
8	Repair set cartridge			22	Non-return valve OV15	<b>A 860 415 NU</b>	1 pcs
9	Body			23	Fixation set		
10	Handle insert universal	<a href="#">A 963 432 NU</a>	1 pcs	24	O-Ring Ø 31,47 x 1,78	<a href="#">A 963 154 NU</a>	1 pcs
11	Headwork ( cartridge )	<a href="#">A 960 462 NU</a>	1 pcs	25	Shaft G3/4 x 50mm		
12	Diverter knob	<b>A 962 064 AA</b>	1 pcs	26	Key for aerator pos. 13	<a href="#">A 960 196 NU</a>	1 pcs
13	Aerator M24 x 1	<a href="#">A 960 692 NU</a>	1 pcs	27 - 29	see the separate shower program		
14	Body for diverter						

Produced from: April 2009

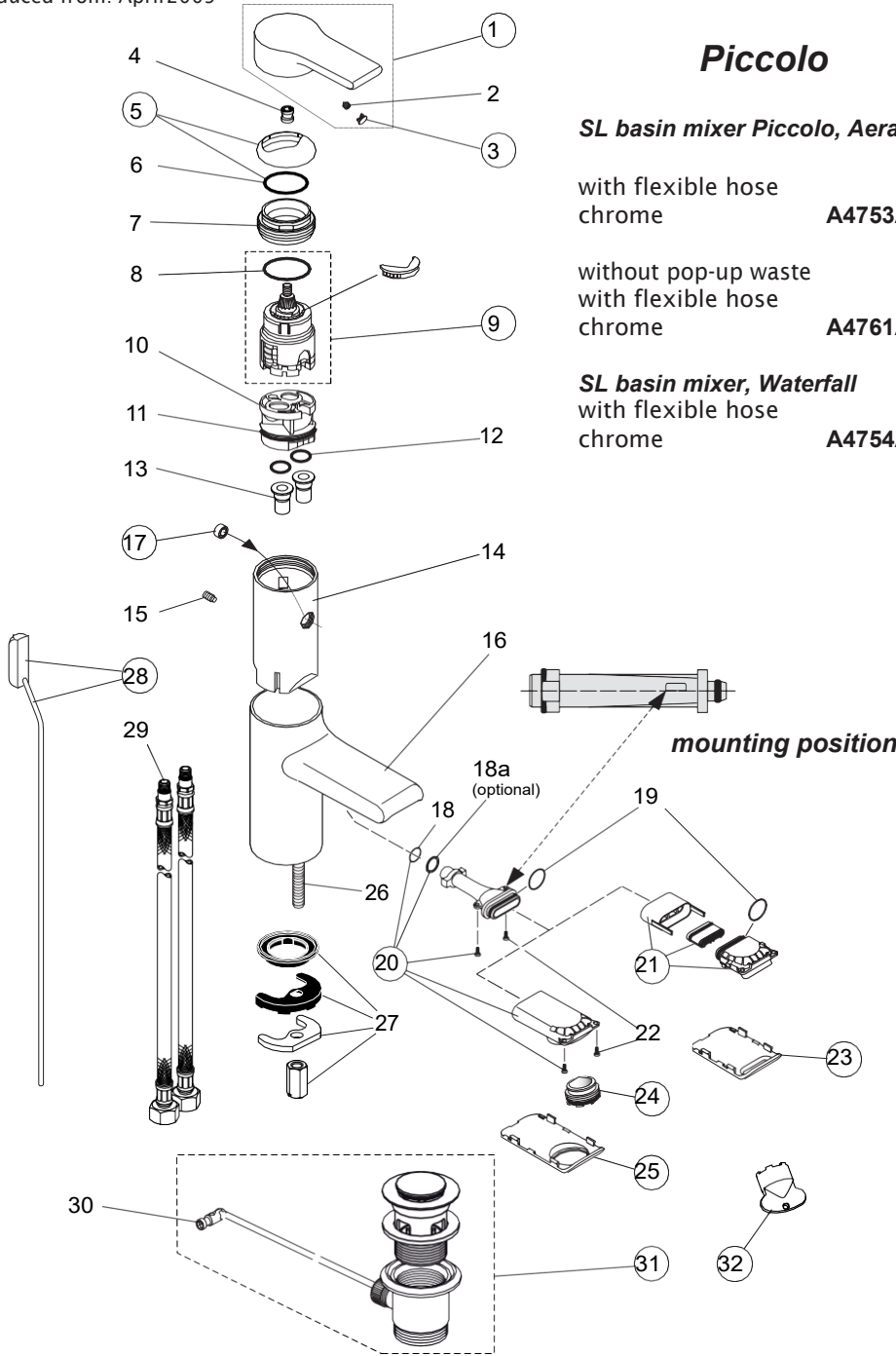


**SL bidet mixer UK**  
with flex. hose  
chrome **A4617AA**

Pos.	Description	Part-Number	Qty.	Pos.	Description	Part-Number	Qty.
1	Lever cpl. with Logo IS	<a href="#">A 960 645 AA</a>	1 pcs	17	O - ring Ø 9,25 x 1,78 from 2015 Ø 9,1 x 1,6	<a href="#">A 960 649 NU</a>	
2	Thread pin M5x6 DIN914	<a href="#">A 860 603 NU</a>		18	O - ring Ø 18 x 1,5		
3	Handle cap	<a href="#">B 960 473 AA</a>	1 pcs	19	Water outlet f. aerator	<a href="#">A 960 649 NU*</a>	1 Set
4	Handle adapter ( included in pos. 9 )			20	Screw Ejot WN5152 20x5		
5	Cover cap	<a href="#">A 960 646 AA</a>	1 pcs	21	Ball joint M18 x 1 cpl.	<a href="#">A 962 385 AA</a>	1 pcs
6	O - ring Ø 28,3 x 1,78	<a href="#">A 961 667 NU</a>		22	Aerator M16,5 x 1	<a href="#">B 960 497 NU</a>	1 pcs
7	Clamping nut M43 x 1,5	<a href="#">Clamping nut</a>		23	Cover plate bidet	<a href="#">A 960 679 AA</a>	1 pcs
8	O - Ring Ø 35 x 3,2	<a href="#">A 962 715 NU</a>		24	Stud M8 x 63mm		
9	Cartridge Multiport Click	<a href="#">A 962 985 NU</a>	1 pcs	25	Fixation set		
10	Plastic manifold			26	Pull knob with lift rod	<a href="#">A 960 654 AA</a>	1 pcs
11	O - ring Ø 34,65 x 1,78	<a href="#">A 962 848 NU</a>		27	Flex. hose M8x1-G3/8	<a href="#">A 962 370 NU</a>	
12	O - ring Ø 10 x 2	<a href="#">A 963 495 NU</a>		28	Bracket	<a href="#">A 963 404 NU</a>	
13	Adapter flex. hose			29	Pop-up waste complete	<a href="#">A 961 230 AA</a>	1 pcs
14	Cartridge holder			30	Key for aerator pos. 22	<a href="#">A 960 196 NU</a>	1 pcs
15	Thread pin M5x16 DIN 914	<a href="#">Thread pin</a>					
16	Body ( Lavy + Bidet )						

\*from 2015 w. Pos.17a (optional); water outlet removed in Pos.19

Produced from: April 2009



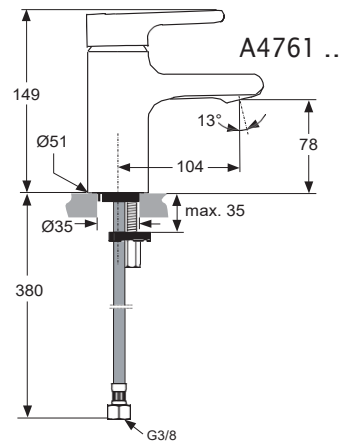
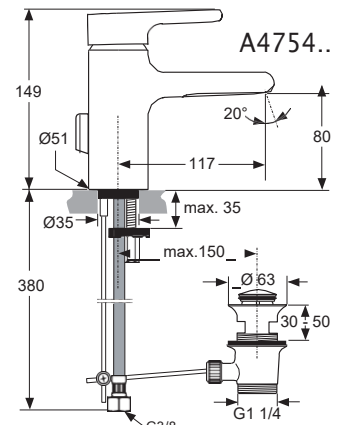
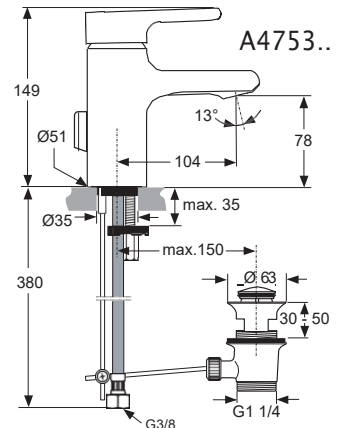
## Piccolo

**SL basin mixer Piccolo, Aerator**

with flexible hose chrome **A4753AA**

without pop-up waste with flexible hose chrome **A4761AA**

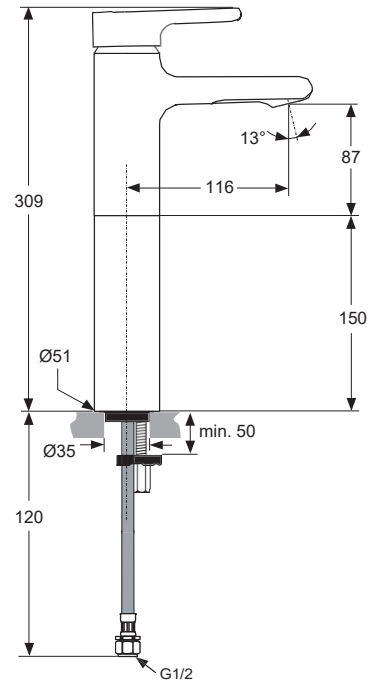
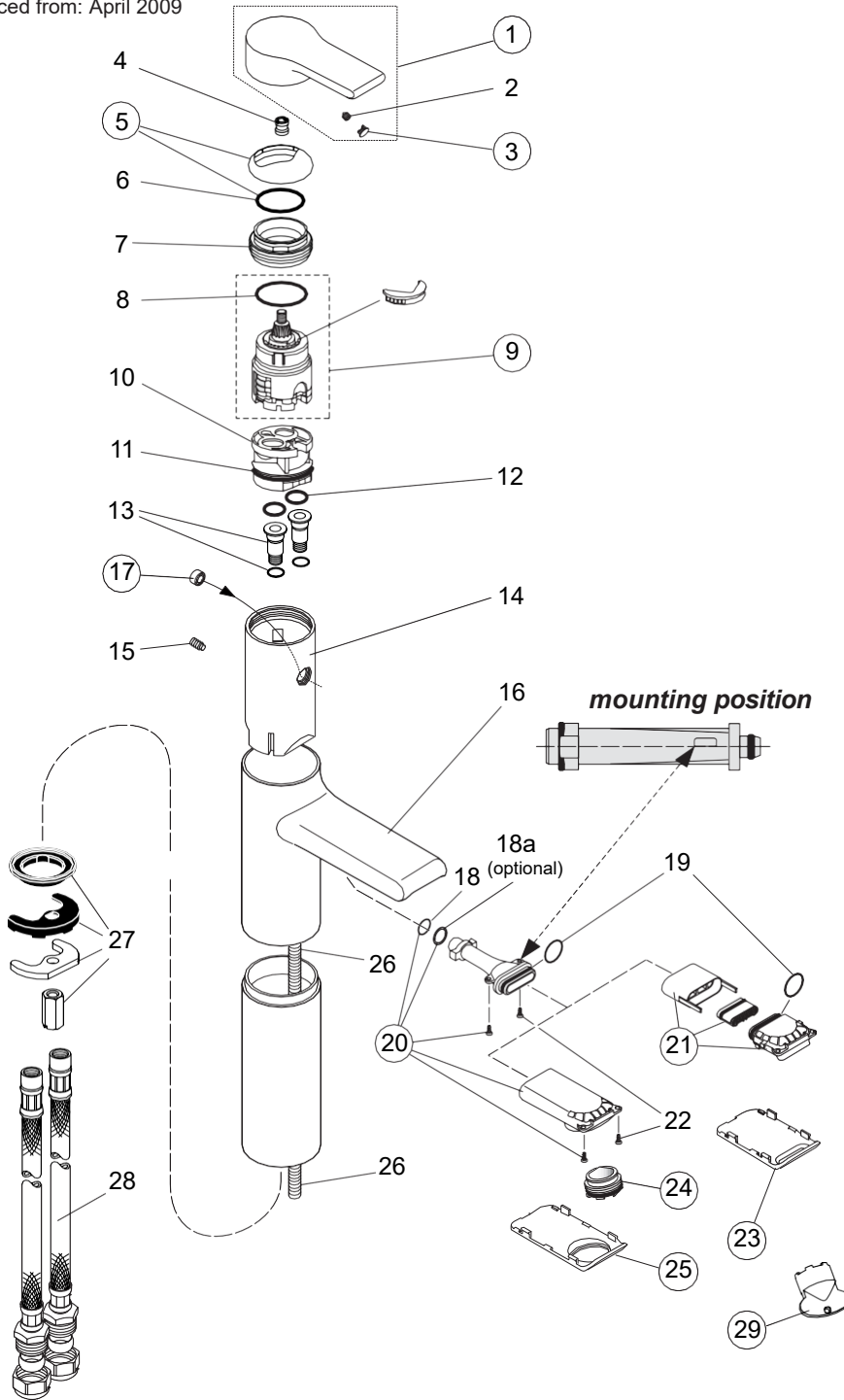
**SL basin mixer, Waterfall** with flexible hose chrome **A4754AA**



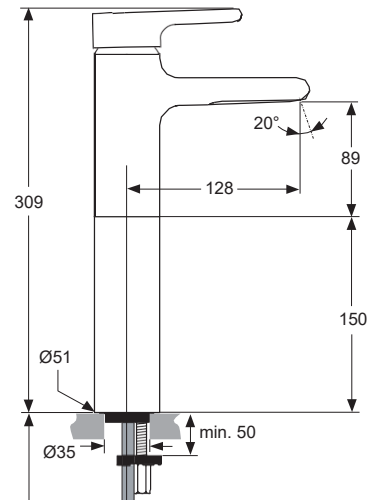
Pos.	Description	Part-Number	Qty.	Pos.	Description	Part-Number	Qty.
1	Lever cpl. with Logo IS	<b>A 960 645 AA</b>	1 pcs	17	Flow limiter (waterfall only)	<b>A 960 647 NU</b>	1 pcs
2	Thread pin M5x6 DIN914	<a href="#">A 860 603 NU</a>		18	O - ring Ø 9,25 x 1,78 from 2015 Ø 9,1 x 1,6	<a href="#">A 960 649 NU</a>	
3	Handle cap	<a href="#">B 960 473 AA</a>	1 pcs	19	O - ring Ø 18 x 1,5		
4	Handle adapter	<a href="#">A 963 372 NU</a>		20	Water outlet f. aerator	<a href="#">A 960 649 NU*</a>	1 Set
5	Cover cap	<a href="#">A 960 646 AA</a>	1 pcs	21	Water outlet f. waterfall	<a href="#">A 960 687 NU*</a>	1 Set
6	O - ring Ø 28,3 x 1,78	<a href="#">A 961 667 NU</a>		22	Screw Ejot WN5152 20x5		
7	Clamping nut M43 x 1,5	<a href="#">Clamping nut</a>		23	Cover plate waterfall	<b>A 960 688 AA</b>	1 pcs
8	O - Ring Ø 35 x 3,2	<a href="#">A 962 715 NU</a>		24	Aerator M24x1 Casc. -A-	<b>A 962 470 NU</b>	1 pcs
9	Cartridge Multiport Click	<a href="#">A 962 985 NU</a>	1 pcs	25	Cover plate aerator	<b>A 960 689 AA</b>	1 pcs
	Cartridge ( only waterfall )	<a href="#">A 962 716 NU</a>	1 pcs	26	Stud M8 x 63mm		
10	Plastic manifold			27	Fixation set	<a href="#">A 952 864 NU</a>	
11	O - ring Ø 34,65 x 1,78	<a href="#">A 962 848 NU</a>		28	Pull knob with lift rod	<a href="#">A 960 654 AA</a>	1 pcs
12	O - ring Ø 10 x 2	<a href="#">A 963 495 NU</a>		29	Flex. hose M8x1-G3/8	<a href="#">A 962 370 NU</a>	
13	Adapter flex. hose			30	Bracket	<a href="#">A 963 404 NU</a>	
14	Cartridge holder			31	Pop-up waste complete	<a href="#">A 961 230 AA</a>	1 pcs
15	Thread pin M5x10 DIN 915	<a href="#">A 963 309 NU</a>		32	Key f. aerator pos. 24	<a href="#">A 960 196 NU</a>	1 pcs
16	Body ( Lavy Piccolo )						

\*from 2015 w. Pos.18a (optional); water outlet removed in Pos.20 + Pos.21

Produced from: April 2009



**SL basin mixer, Aerator with flex. hose chrome A4755AA**



**SL basin mixer, Waterfall with flex. hose chrome A4756AA**

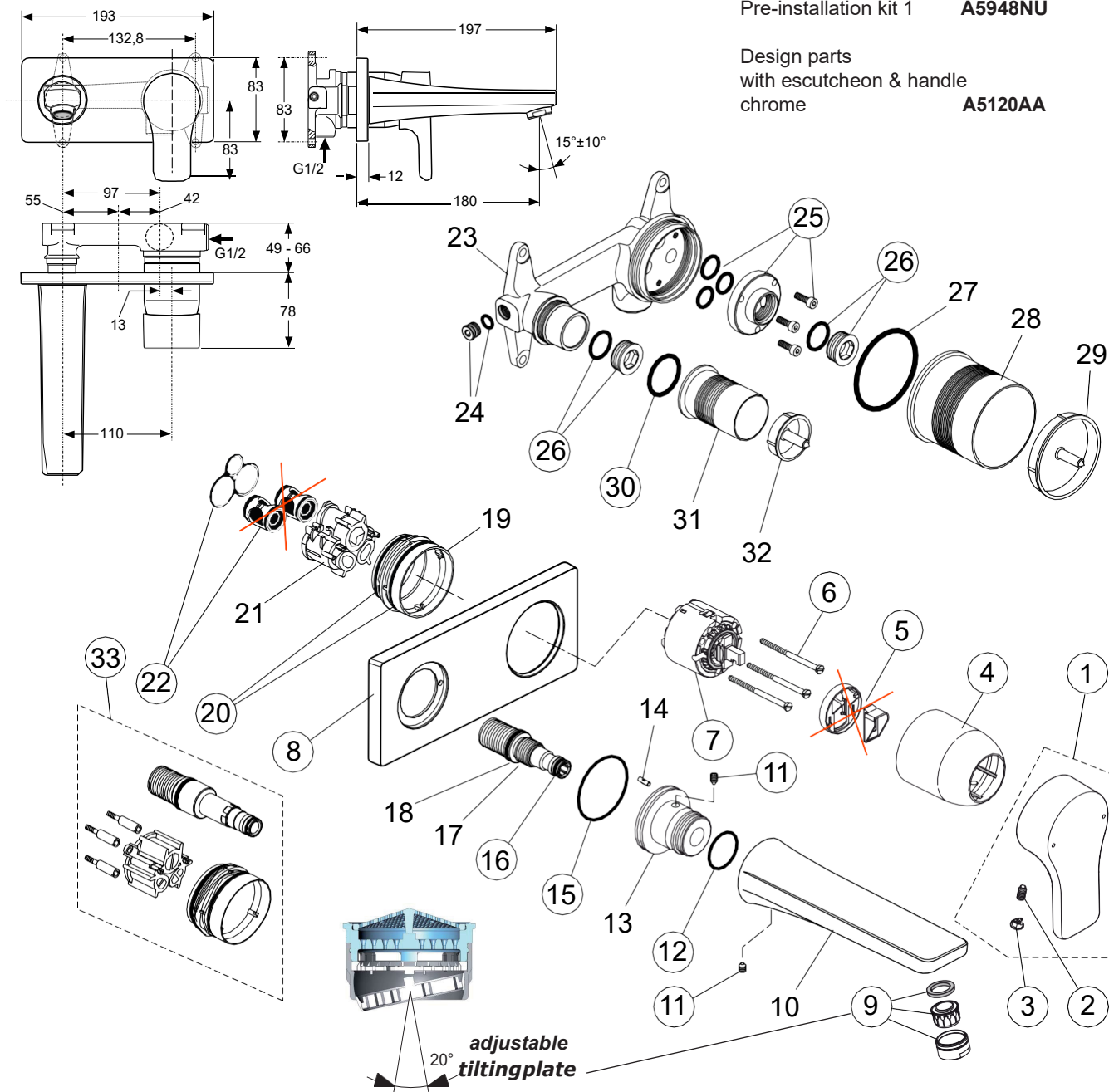
Pos.	Description	Part-Number	Qty.	Pos.	Description	Part-Number	Qty.
1	Lever cpl. with Logo IS	<a href="#">A 960 645 AA</a>	1 pcs	16	Body ( Lavy )		
2	Thread pin M5x6 DIN914	<a href="#">A 860 603 NU</a>		17	Flow limiter (waterfall only)	<a href="#">A 960 647 NU</a>	1 pcs
3	Handle cap	<a href="#">B 960 473 AA</a>	1 pcs	18	O - ring Ø 9,25 x 1,78 from 2015 Ø 9,1 x 1,6	<a href="#">A 960 649 NU</a>	
4	Handle adapter	<a href="#">A 963 372 NU</a>		19	O - ring Ø 18 x 1,5		
5	Cover cap	<a href="#">A 960 646 AA</a>	1 pcs	20	Water outlet f. aerator	<a href="#">A 960 649 NU*</a>	1 Set
6	O - ring Ø 28,3 x 1,78	<a href="#">A 961 667 NU</a>		21	Water outlet f. waterfall	<a href="#">A 960 650 NU*</a>	1 pcs
7	Clamping nut M43 x1,5	<a href="#">Clamping nut</a>		22	Screw Ejoyt WN5152 20x5		
8	O - Ring Ø 35 x 3,2	<a href="#">A 962 715 NU</a>		23	Cover plate waterfall	<a href="#">A 960 651 AA</a>	1 pcs
9	Cartridge Multiport Click	<a href="#">A 962 985 NU</a>	1 pcs	24	Aeartor M24 x 1	<a href="#">A 960 692 NU</a>	1 pcs
10	Cartridge ( only waterfall )	<a href="#">A 962 716 NU</a>	1 pcs	25	Coverplate aerator	<a href="#">A 960 653 AA</a>	1 pcs
11	Plastic manifold			26	Stud M8 x 270mm		
12	O - ring Ø 34,65 x 1,78	<a href="#">A 962 848 NU</a>		27	Fixation set	<a href="#">A 952 864 NU</a>	
13	O - ring Ø 10 x 2	<a href="#">A 963 495 NU</a>		28	Flex. hose M10x1In.-G1/2	<a href="#">A 960 934 NU</a>	
14	Adapter flex. hose + O-ring Ø7 x 15			29	Key for aerator pos. 24	<a href="#">A 960 196 NU</a>	1 pcs
15	Cartridge holder						
15	Thread pin M5x10 DIN 915	<a href="#">A 963 309 NU</a>					

\*from 2015 w. Pos.18a (optional); water outlet removed in Pos.20 + Pos.21

Produced from: **May 2013**

Pre-installation kit 1 **A5948NU**

Design parts  
with escutcheon & handle  
chrome **A5120AA**



**Replace XX with the appropriate finish code**  
chrome = AA,

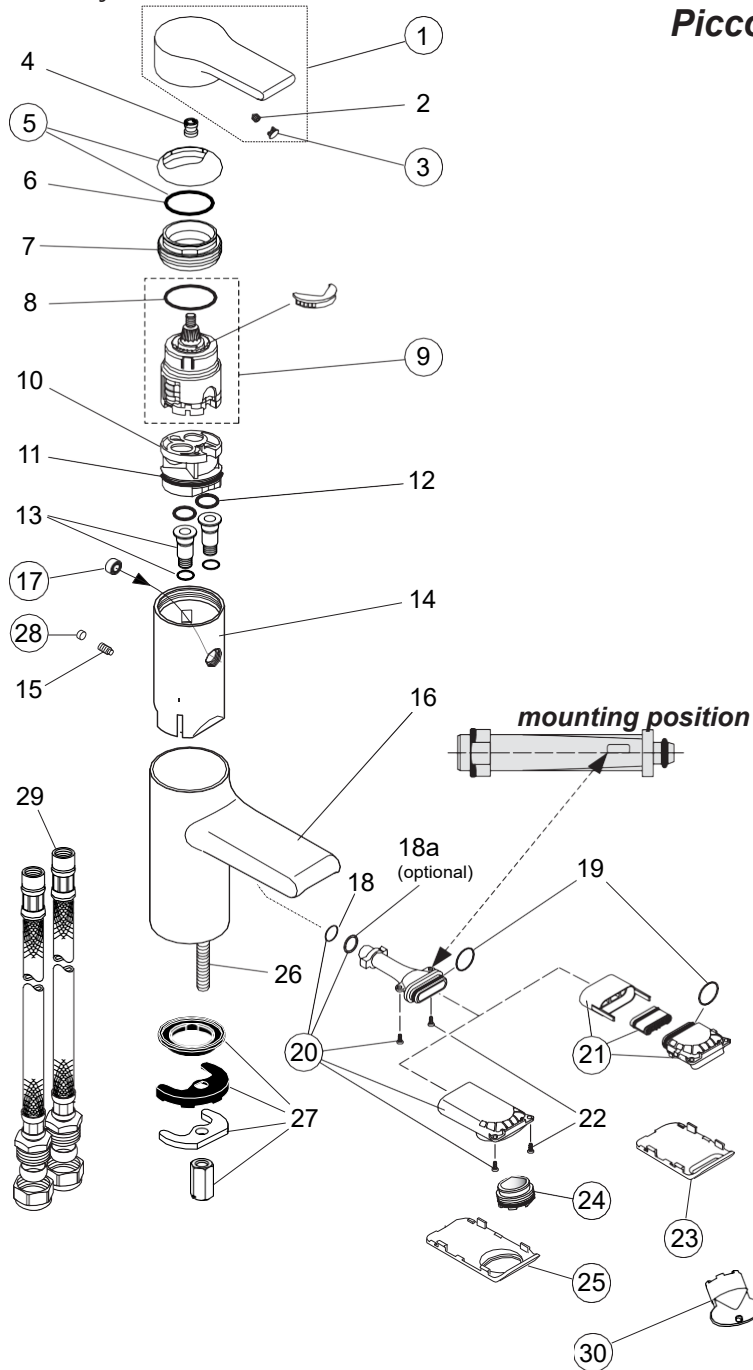
**Example spare part order:**  
F 960 873 AA in chrome

Pos.	Description	Part-Number	Qty.	Pos.	Description	Part-Number	Qty.
1	Lever compl. with Logo ISI	<b>A 960 659 XX</b>	1 pcs	18	O - ring Ø 19 x 2,5	<a href="#">A 861 270 NU</a>	
2	Thread pin M5x10 DIN915	<a href="#">A 963 309 NU</a>		19	Plastic ring	<a href="#">A 861 001 NU</a>	
3	Handle cap	<a href="#">B 960 473 XX</a>	1 pcs	20	O - ring Ø 47,3 x 1,78	<a href="#">A 963 526 NU</a>	2 pcs
4	Cover cap	<a href="#">A 960 893 XX</a>	1 pcs	21	Plastic insert	<a href="#">A 861 000 NU</a>	
5	ECO-kit			22	Low noise insert complete	<a href="#">A 963 524 NU</a>	1 Set
6	Cylindrical screw M4x69	<a href="#">A 963 783 NU</a>	3 pcs	23	Body ( built-in )		
7	Cartridge with pos. 5	<a href="#">A 960 500 NU</a>	1 pcs	24	Superior block M10x1		
8	Escutcheon	<a href="#">F 960 880 XX</a>	1 pcs	25	Flushing device complete	<b>F 960 881 NU</b>	1 Set
9	Aerator M24x1 - 5ltr/min	<a href="#">F 960 876 XX</a>	1 pcs	26	Plug with o-ring	<b>A 963 548 NU</b>	1 pcs
10	Spout 180mm projection			27	O - ring Ø 54 x 2,5		
11	Thread pin M6x8 DIN914	<a href="#">A 860 691 NU</a>	1 pcs	28	Plaster guard for cartridge		
12	O - ring Ø 28 x 3	<a href="#">A 960 071 NU</a>	2 pcs	29	Cover for pos. 28		
13	Connector spout			30	O - ring Ø 26 x 2,5	<b>A 860 845 NU</b>	1 pcs
14	Groove pin 3x10 DIN1474			31	Plaster guard for spout		
15	O - ring Ø 41 x 1,78	<a href="#">A 961 863 NU</a>	1 pcs	32	Cover for pos. 31		
16	O - ring Ø 10 x 2	<a href="#">A 963 495 NU</a>	2 pcs	33	Extension kit 20mm longer	<b>F 960 866 NU</b>	1 Set
17	Connector nipple	<a href="#">A 861 270 NU</a>					

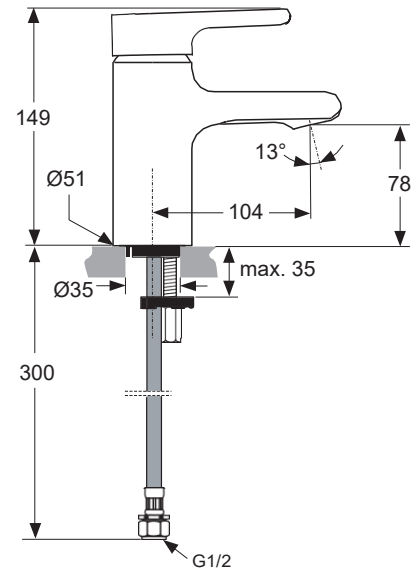
Attitude



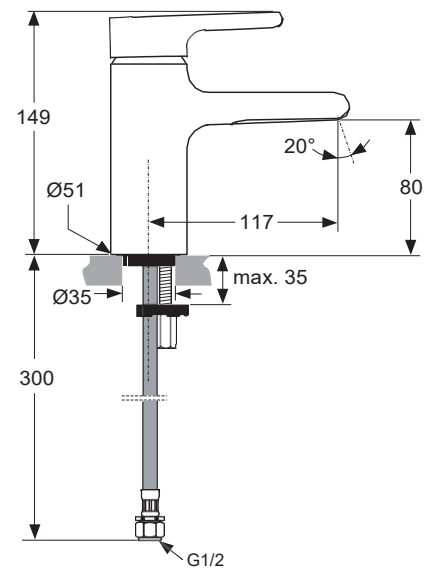
Produced from: Jan. 2010



**Piccolo**



**SL basin mixer Piccolo, Aerator**  
with flexible hose  
chrome **A5535AA**



**SL basin mixer, Waterfall**  
with flexible hose  
chrome **A5536AA**

Pos.	Description	Part-Number	Qty.	Pos.	Description	Part-Number	Qty.
1	Lever cpl. with Logo IS	<a href="#">A 960 645 AA</a>	1 pcs	17	Flow limiter (waterfall only)	<a href="#">A 960 647 NU</a>	1 pcs
2	Thread pin M5x6 DIN914	<a href="#">A 860 603 NU</a>	1 pcs	18	O - ring Ø 9,25 x 1,78 from 2015 Ø 9,1 x 1,6	<a href="#">A960649NU</a>	1 pcs
3	Handle cap	<a href="#">B 960 473 AA</a>	1 pcs	19	O - ring Ø 18 x 1,5		
4	Handle adapter ( included in pos. 9 )			20	Water outlet f. aerator	<a href="#">A 960 649 NU*</a>	1 Set
5	Cover cap	<a href="#">A 960 646 AA</a>	1 pcs	21	Water outlet f. waterfall	<a href="#">A 960 687 NU*</a>	1 Set
6	O - ring Ø 28,3 x 1,78	<a href="#">A 961 667 NU</a>		22	Screw Ejoj WN5152 20x5		
7	Clamping nut M43 x 1,5	<a href="#">Clamping nut</a>		23	Cover plate waterfall	<a href="#">A 960 688 AA</a>	1 pcs
8	O - Ring Ø 35 x 3,2	<a href="#">A 962 715 NU</a>		24	Aerator M24x1 short/ 5ltr.	<a href="#">A 962 079 NU</a>	1 pcs
9	Cartridge Multiport Click	<a href="#">A 962 985 NU</a>	1 pcs		Aerator M24x1 h=15,4mm	<a href="#">A 960 692 NU</a>	1 pcs
10	Cartridge ( only waterfall )	<a href="#">A 962 716 NU</a>	1 pcs	25	Cover plate aerator	<a href="#">A 960 689 AA</a>	1 pcs
11	Plastic manifold			26	Stud M8 x 63mm		
12	O - ring Ø 34,65 x 1,78	<a href="#">A 962 848 NU</a>		27	Fixation set	<a href="#">A 952 864 NU</a>	
13	O - ring Ø 10 x 2	<a href="#">A 963 495 NU</a>		28	Cover shield	<a href="#">A 963 751 NU</a>	1 pcs
14	Adapter flex. hose + O-ring Ø 7 x 1,5			29	Flex. hose M10x1In.-G1/2	<a href="#">A 960 934 NU</a>	
15	Cartridge holder			30	Key f. aerator pos. 24	<a href="#">A 960 196 NU</a>	1 Set
16	Thread pin M5x16 DIN914	<a href="#">Thread pin</a>					
17	Body ( Lavy Piccolo )						

\*from 2015 w. Pos.18a (optional); water outlet removed in Pos.20 + Pos.21