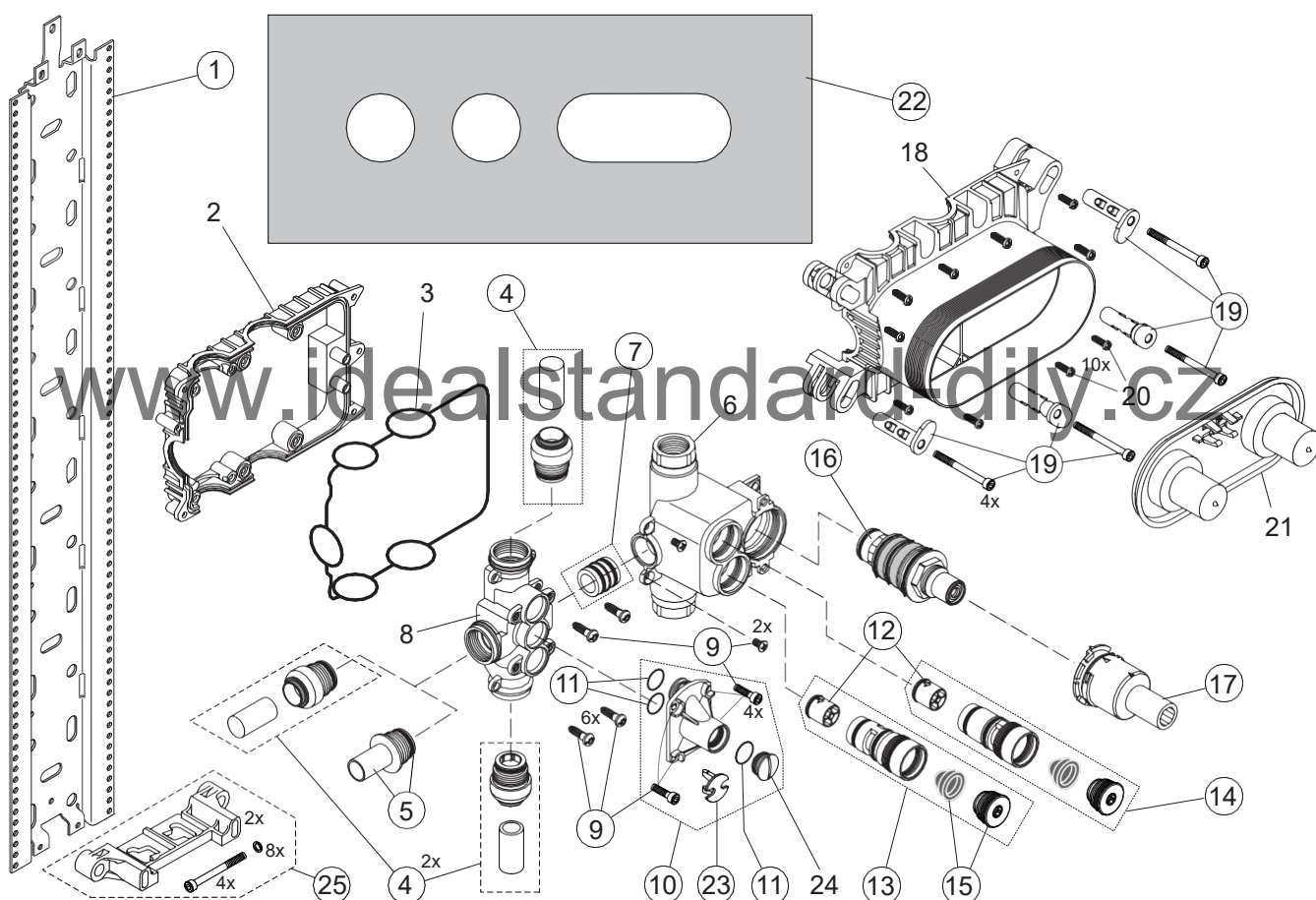
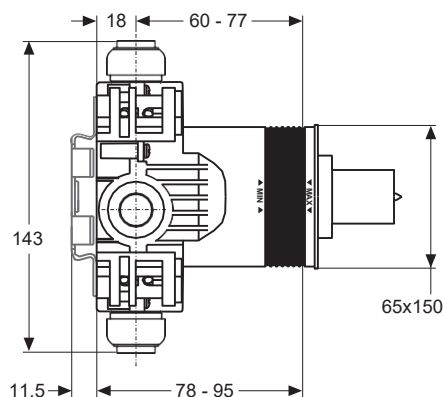
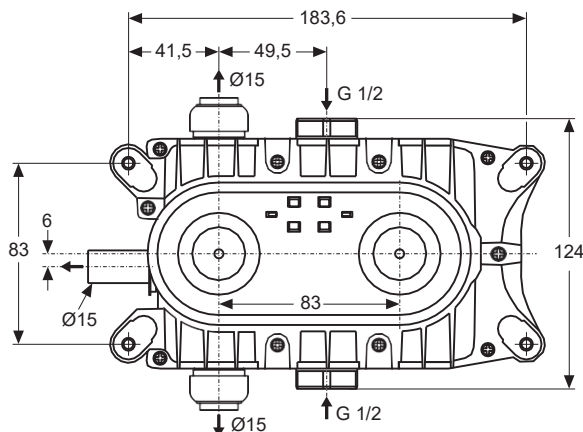


Produced from: Nov. 2011

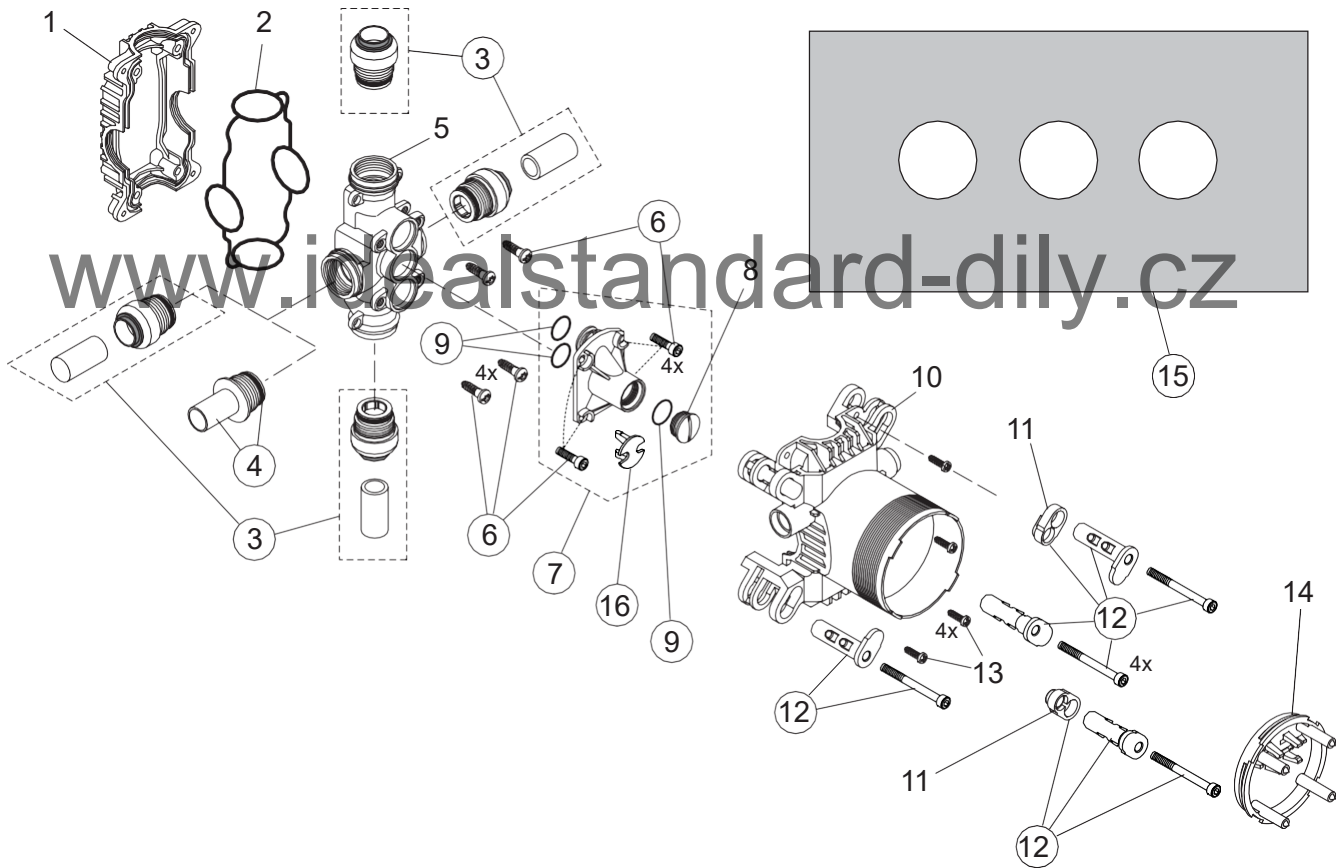
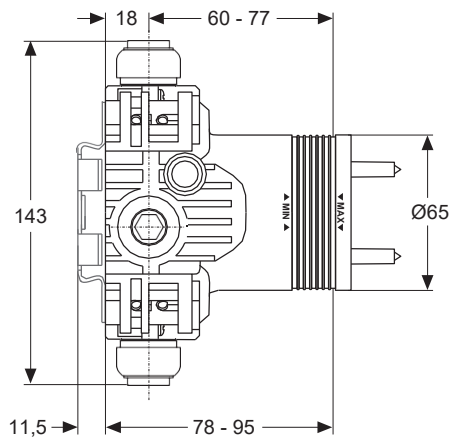
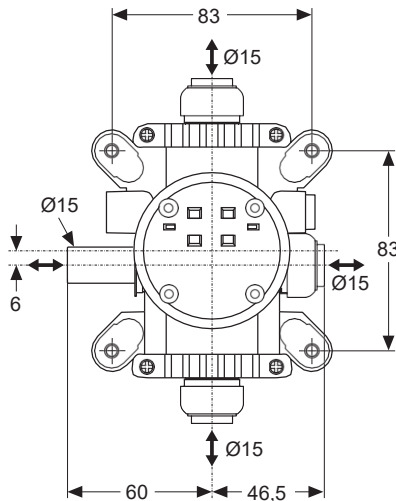
Pre-Installation Kit Thermostat
A1500NU



Pos.	Description	Part-Number	Qty.	Pos.	Description	Part-Number	Qty.
1	Fixation rail 60cm	A 1503 NU	1 pcs	14	Valve / low noise cold wtr.	A 860 838 NU	1 pcs
2	Built-in box Therm. / bottom			15	Low noise insert	A 860 839 NU	1 pcs
3	Sealing set built-in box			16	Thermostat cartridge cpl.	A 962 229 NU	1 pcs
4	Connector Tectite +stopper	A 860 830 NU	1 pcs	17	Temperature adjustment	A 860 840 NU	1 pcs
5	Adapter pipe with o-ring	A 860 831 NU	1 pcs	18	Built-in box / top		
6	Body built-in Thermostat			19	Fixation/Connector+Screw	A 860 841 NU	1 Set
7	Connector nipple + o-ring	A 860 832 NU	1 pcs	20	Screw set for built-in box		
8	Body buit-in valve & accessories			21	Cover for built-in box		
9	Screw set Body complete	A 860 833 NU	1 Set	22	Sealing fleece - Set	F 960 841 NU	1 Set
10	Flushing device complete	A 860 834 NU	1 Set	23	Plug for flushing device	F 960 842 NU	10 pcs
11	O - ring Ø13 x 1,5 + 2,5	A 860 836 NU	1 Set	24	Plug M15 x 1		
12	Non-return valve DW15	A 962 594 NU	2 pcs	25	Fixation set rail / pre-inst.	A 963 713 NU	1 Set
13	Valve / low noise hot water	A 860 837 NU	1 pcs				

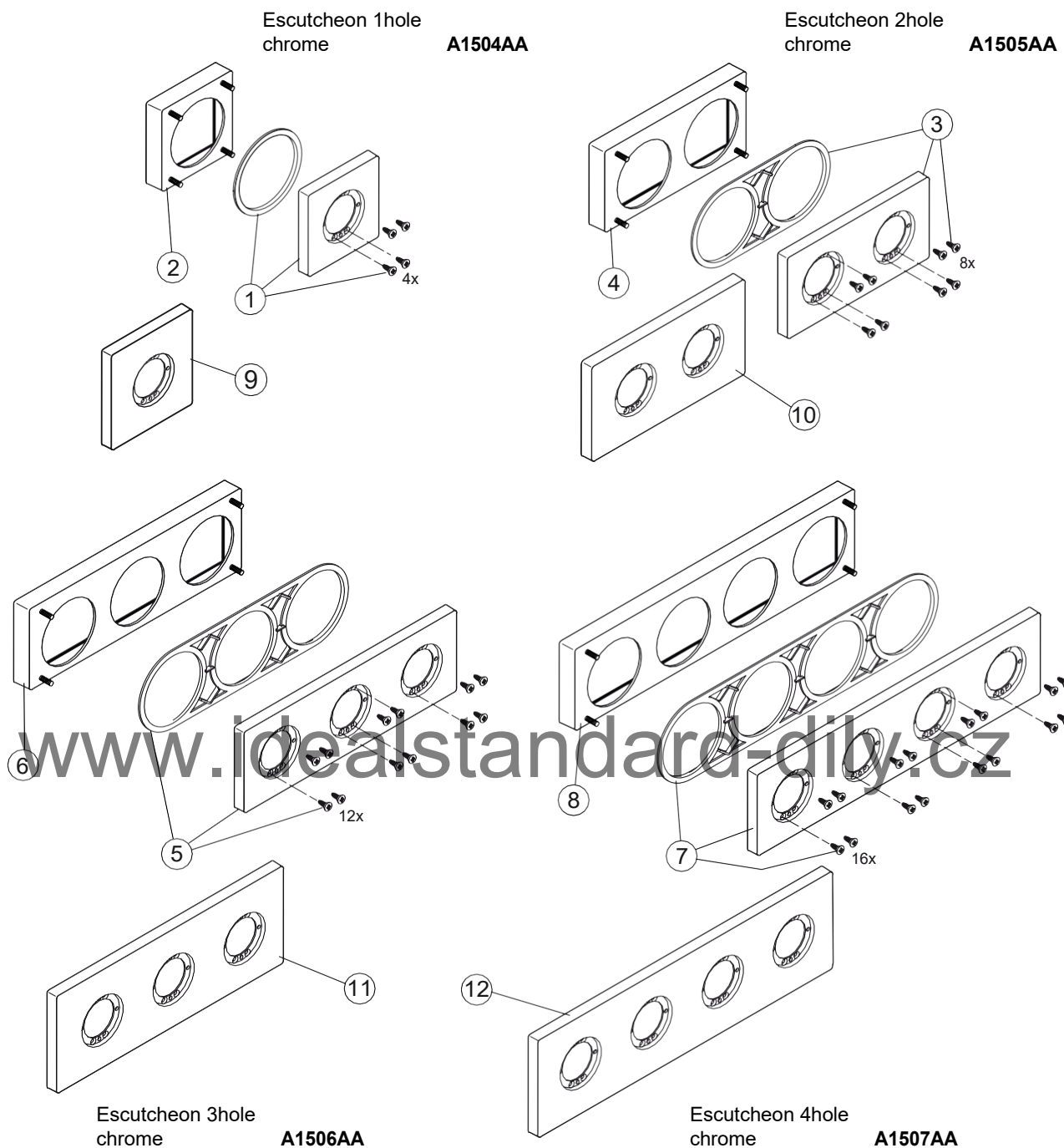
Produced from: Nov. 2011

Pre-Installation Kit Universal
A1501NU



Pos.	Description	Part-Number	Qty.	Pos.	Description	Part-Number	Qty.
1	Built-in box Universal / bottom			11	Fixation spacing plate		
2	Sealing set built-in box			12	Fixation/Connector+screw	A 860 841 NU	1 Set
3	Connector Tectite +stopper	A 860 830 NU	1 pcs	13	Screw set for built-in box		
4	Adapter pipe with o-ring	A 860 831 NU	1 pcs	14	Cover for built-in box		
5	Body built-in Universal			15	Sealing fleece - Set	F 960 841 NU	1 Set
6	Screw set Body complete	A 860 833 NU	1 Set	16	Plug for flushing device	F 960 842 NU	10 pcs
7	Flushing device complete	A 860 834 NU	1 Set				
8	Plug M15 x 1						
9	O - ring Ø13 x 1,5 + 2,5	A 860 836 NU	1 Set				
10	Built-in box Universal /top						

Produced from: Nov. 2011



Replace XX with the appropriate finish code
chrome = AA,

Example spare part order:
A 963 746 AA in chrome

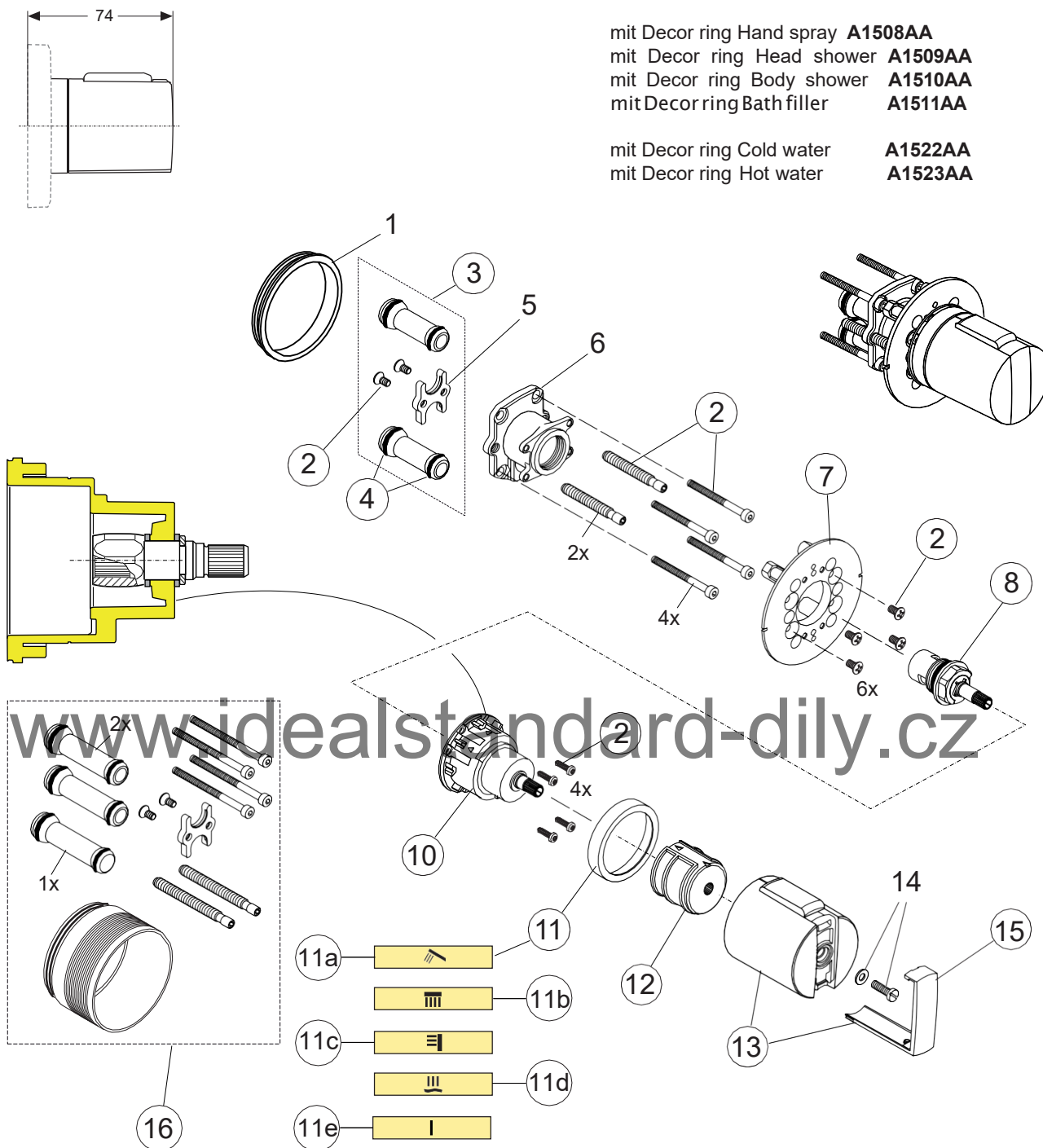
Pos.	Description	Part-Number	Qty.	Pos.	Description	Part-Number	Qty.
1	Escutcheon 1hole 83x83mm with screws & sealframe	A 1504 XX	1 Set	5	Escutcheon 3hole 83x249mm with screws & sealframe	A 1506 XX	1 Set
2	Distanceframe 83x83mm complete with seal	A 963 746 XX	1 pcs	6	Distanceframe 83x249mm complete with seal	A 963 766 XX	1 pcs
9	Escutcheon 1hole 100x100mm with bigger dimension	A 963 724 XX	1 pcs	11	Escutcheon 3hole 100x266mm with bigger dimension	A 963 732 XX	1 pcs
3	Escutcheon 2hole 83x166mm with screws & sealframe	A 1505 XX	1 Set	7	Escutcheon 4hole 83x332mm with screws & sealframe	A 1507 XX	1 Set
4	Distanceframe 83x166mm complete with seal	A 963 765 XX	1 pcs	8	Distanceframe 83x332mm complete with seal	A 963 767 XX	1 pcs
10	Escutcheon 2hole 100x183mm with bigger dimension	A 963 725 XX	1 pcs	12	Escutcheon 4hole 100x349mm with bigger dimension	A 963 735 XX	1 pcs

Produced from: Nov. 2011

Design parts - Volume handle + Decor ring

mit Decor ring Hand spray **A1508AA**
 mit Decor ring Head shower **A1509AA**
 mit Decor ring Body shower **A1510AA**
 mit Decor ring Bath filler **A1511AA**

mit Decor ring Cold water **A1522AA**
 mit Decor ring Hot water **A1523AA**



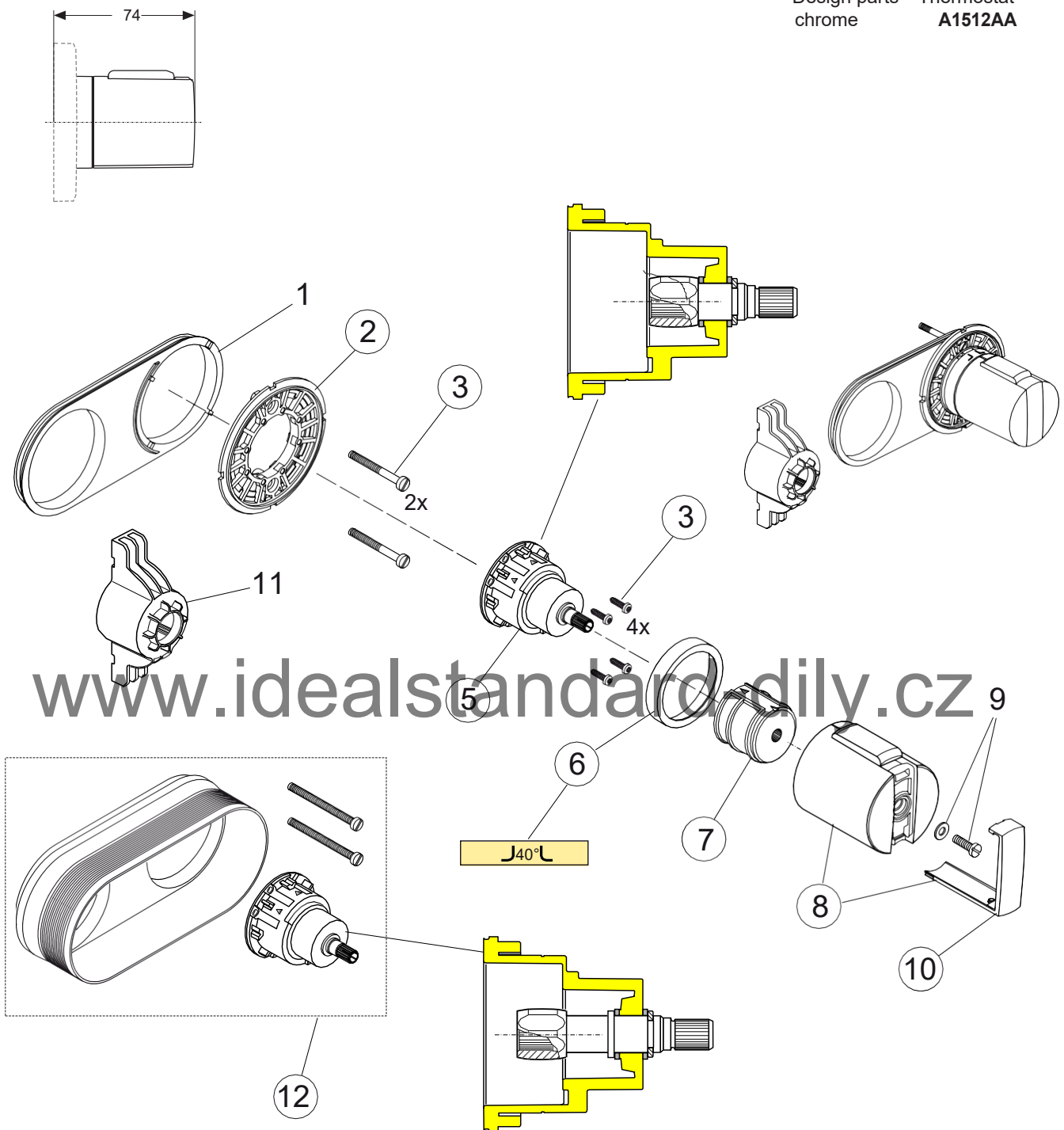
Replace XX with the appropriate finish code
 chrome = AA,

Example spare part order:
A 962 880 AA in chrome

Pos.	Description	Part-Number	Qty.	Pos.	Description	Part-Number	Qty.
1	Seal ring			11a	for stop valve hand spray	A 860 855 XX	1 pcs
2	Screw set vol./conn. valve	A 860 842 NU	1 pcs	11b	for stop valve head shower	A 860 859 XX	1 pcs
3	Ball canal / connector	A 860 847 NU	2 pcs	11c	for stop valve body shower	A 860 861 XX	1 pcs
4	O-ring set Ø10 + Ø13x2,5	A 860 852 NU	1 Set	11d	for stop valve bath filler	A 860 862 XX	1 pcs
5	Flange / fixation / holder			11e	for stop valve cold & hot	A 860 865 XX	1 Set
6	Body for vol. valve & accessories			12	Handle adapter	A 860 866 NU	1 pcs
7	Escutcheon holder	A 860 853 NU	1 Set	13	Handle complete	A 962 880 XX	1 pcs
8	Headwork / Cartridge G1/2	A 963 400 NU	1 pcs		Handle with Button lock	A 962 947 XX	1 pcs
9	O - ring Ø45 x 1,15	cancelled since June 2012		14	Screw with washer	A 963 647 NU	
10	Temp.- + volume arrester	A 860 854 NU	1 pcs	15	Cap for handle	A 962 878 XX	1 pcs
11	decor ring Ø48mm with following symbols			16	Extension kit 15mm longer	A 963 738 NU	1 Set

Produced from: Nov. 2011

Design parts - Thermostat
chrome **A1512AA**



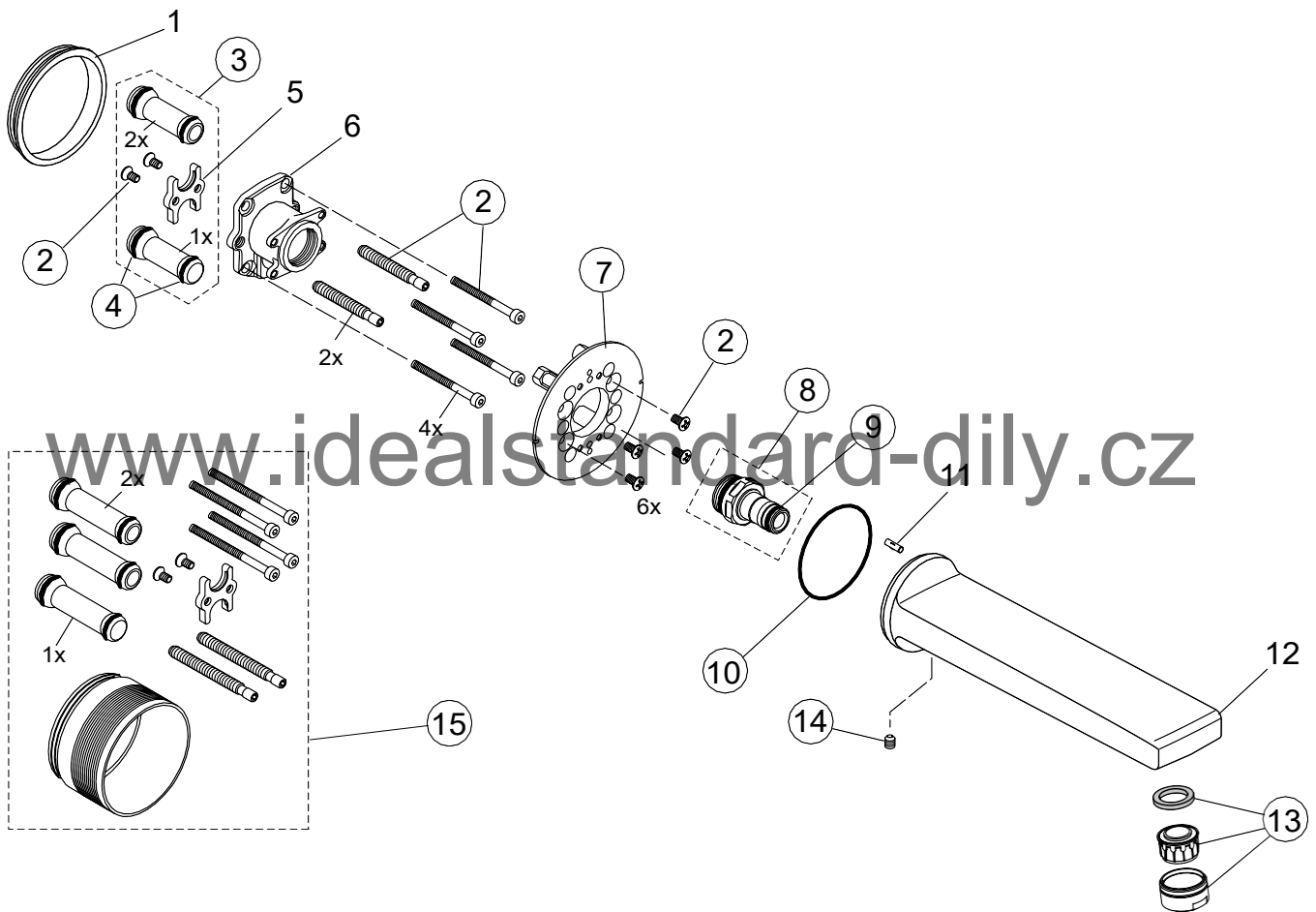
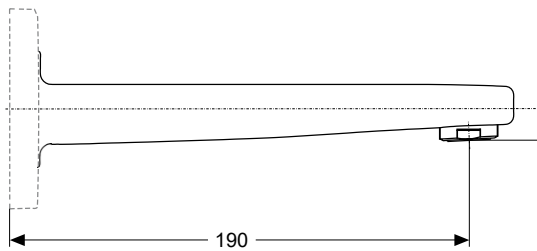
Replace XX with the appropriate finish code
chrome = AA,

Example spare part order:
A 962 879 AA in chrome

Pos.	Description	Part-Number	Qty.	Pos.	Description	Part-Number	Qty.
1	Seal ring	Seal ring		9	Screw with washer	A 963 647 NU	
2	Escutcheon holder	A 860 853 NU	1 Set	10	Cap for handle	A 962 878 XX	1 pcs
3	Screw set Thermostat	A 860 868 NU	1 Set	11	Template for cutting / Thermostat only	Template	
4	O - ring Ø45 x 1,15	cancelled since June 2012		12	Extension kit for Temperature handle	A 963 739 NU	1 pcs
5	Override part Therm.	A 860 854 NU	1 pcs				
6	Decor ring Ø48 Temp.	A 860 864 XX	1 pcs				
7	Handle adapter	A 860 866 NU	1 pcs				
8	Handle complete	A 962 879 XX	1 pcs				

Produced from: Nov. 2011

Kit 2 - Spout for Lavy / Bath
chrome **A1513AA**



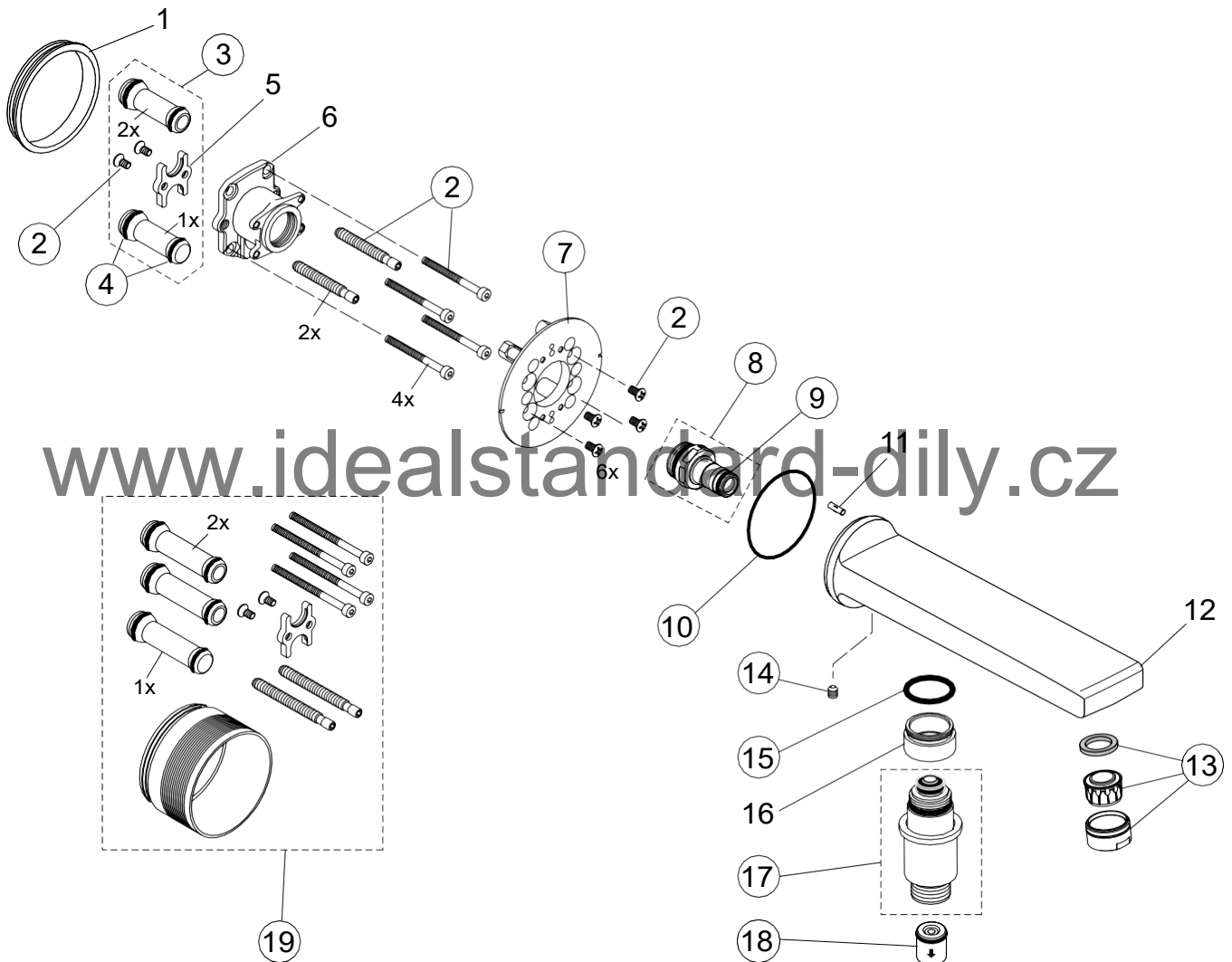
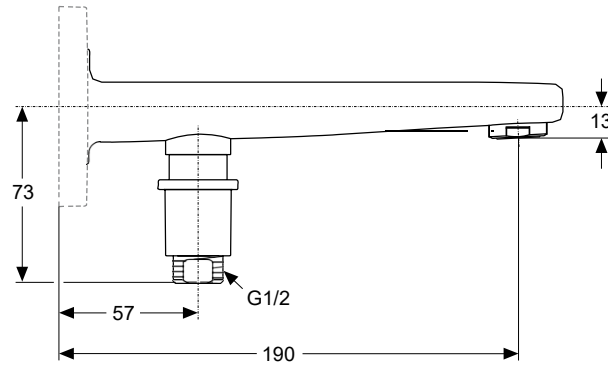
Replace **XX** with the appropriate finish code
chrome = AA,

Example spare part order:
A 961 132 AA in chrome

Pos.	Description	Part-Number	Qty.	Pos.	Description	Part-Number	Qty.
1	Seal ring			11	Groove pin 3x10 DIN1474		
2	Screw set vol./conn. valve	A 860 842 NU	1 pcs	12	Spout with 190mm projection	A 1513 AA	
3	Ball canal / connector	A 860 847 NU	2 pcs	13	Aerator compl. M24x1 with flow rate class -C-	A 961 132 XX	1 pcs
4	O-ring set Ø10 + Ø13x2,5	A 860 852 NU	1 Set		Aerator compl. M24x1 with flow rate class -A-	A 960 321 XX	1 pcs
5	Flange / fixation / holder						
6	Body for vol. valve & accessories						
7	Escutcheon holder	A 860 853 NU	1 Set	14	Thread pin M5x5	A 962 625 NU	1 Set
8	Connector nipple open	A 860 867 NU	1 pcs	15	Extension kit 15mm longer	A 963 738 NU	1 Set
9	O - ring Ø10 x 2	A 963 495 NU	2 pcs				
10	O - ring Ø41 x 1,78	A 961 863 NU	1 pcs				

Produced from: Nov. 2011

Kit 2 - Spout with Diverter Bathfiller
chrome
A1514AA



www.idealstandard-dily.cz

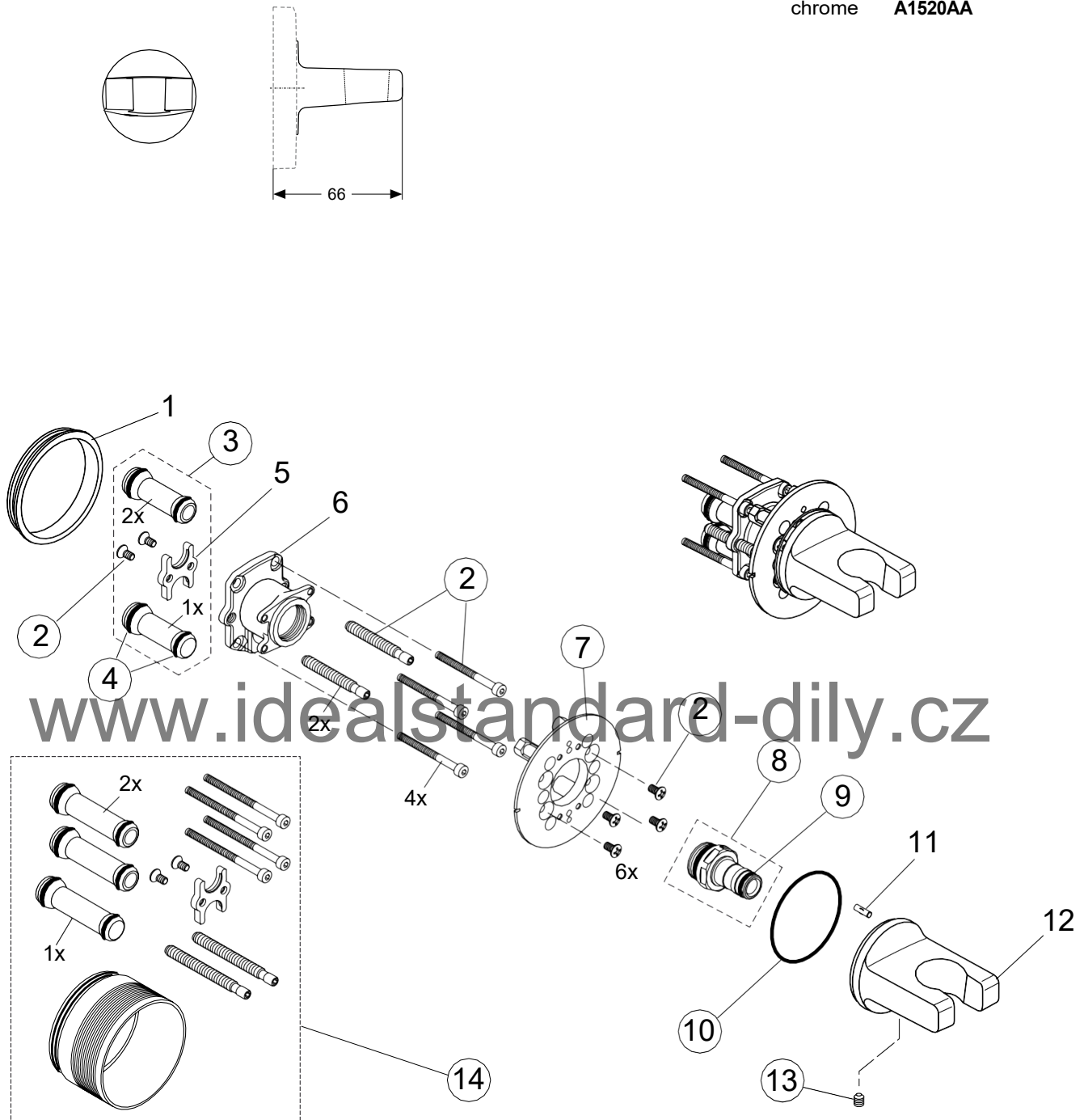
Replace XX with the appropriate finish code
chrome = AA,

Example spare part order:
A 961 132 AA in chrome

Pos.	Description	Part-Number	Qty.	Pos.	Description	Part-Number	Qty.
1	Seal ring			11	Groove pin 3x10 DIN1474		
2	Screw set vol./conn. valve	A 860 842 NU	1 pcs	12	Spout with diverter - 190mm projection		
3	Ball canal / connector	A 860 847 NU	2 pcs	13	Aerator compl. M24x1 -C-	A 961 132 XX	1 pcs
4	O-ring set Ø10 + Ø13x2,5	A 860 852 NU	1 Set	14	Thread pin M5x5	A 962 625 NU	1 Set
5	Flange / fixation / holder			15	O - ring Ø 20x1,5	A 961 644 NU	1 Set
6	Body for vol. valve & accessories			16	Sleeve M25x1 outside - M22x1 inside		
7	Escutcheon holder	A 860 853 NU	1 Set	17	Diverter complete	A 860 869 XX	1 pcs
8	Connector nipple open	A 860 867 NU	1 pcs	18	Non-return valve DW15	A 962 594 NU	2 pcs
9	O - ring Ø10 x 2	A 963 495 NU	2 pcs	19	Extension kit 15mm longer	A 963 738 NU	1 Set
10	O - ring Ø41 x 1,78	A 961 863 NU	1 pcs				

Produced from: Nov. 2011

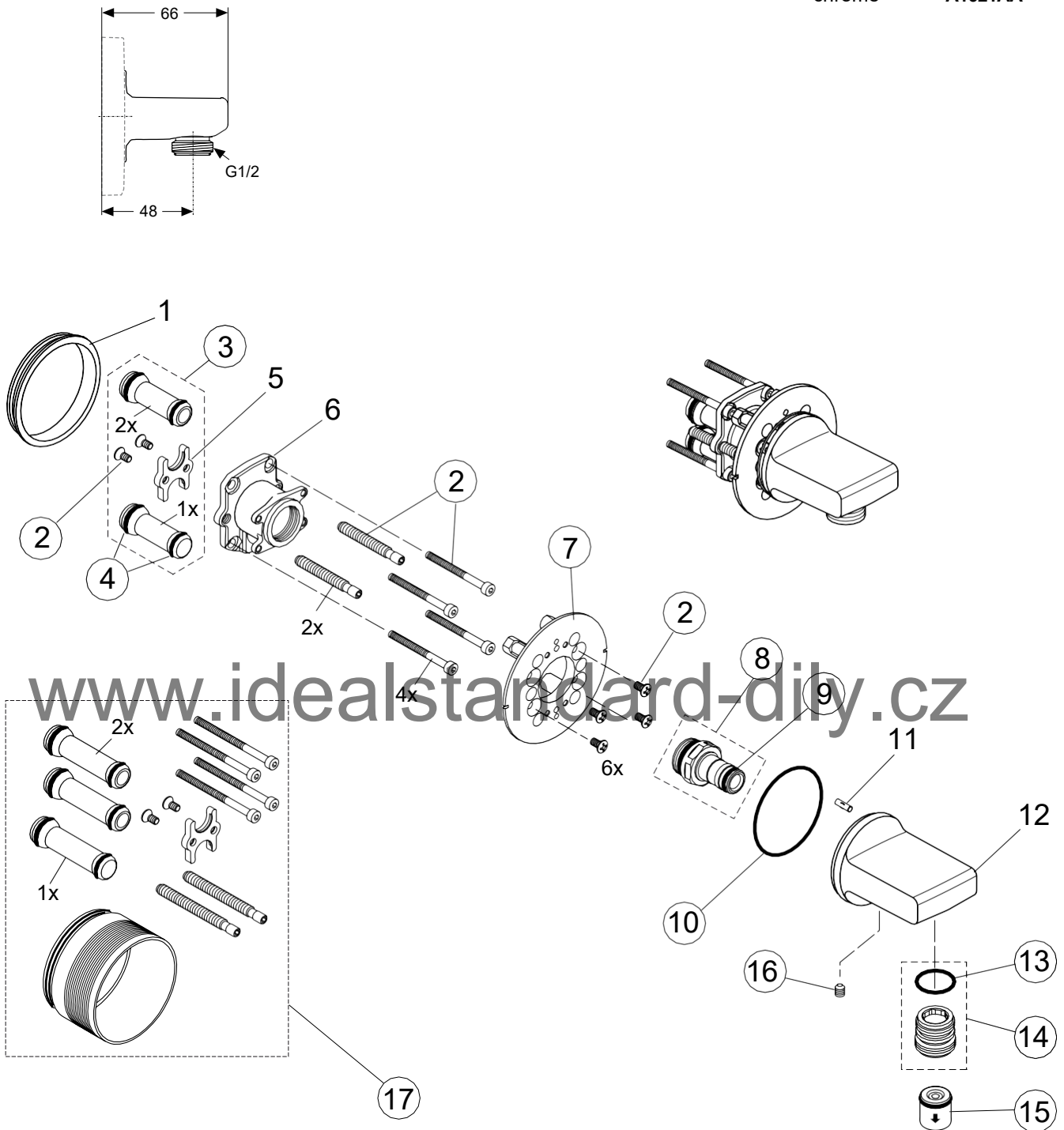
Kit 2 - Shower holder
chrome **A1520AA**



Pos.	Description	Part-Number	Qty.	Pos.	Description	Part-Number	Qty.
1	Seal ring			11	Groove pin 3x10 DIN1474		
2	Screw set vol./conn. valve	A 860 842 NU	1 pcs	12	Shower holder	A 1520 AA	
3	Ball canal / connector	A 860 847 NU	2 pcs	13	Thread pin M5x5	A 962 625 NU	1 Set
4	O-ring set Ø10 + Ø13x2,5	A 860 852 NU	1 Set	14	Extension kit 15mm longer	A 963 738 NU	1 Set
5	Flange / fixation / holder						
6	Body for vol. valve & accessories						
7	Escutcheon holder	A 860 853 NU	1 Set				
8	Connector nipple open	A 860 867 NU	1 pcs				
9	O - ring Ø10 x 2	A 963 495 NU	2 pcs				
10	O - ring Ø41 x 1,78	A 961 863 NU	1 pcs				

Produced from: Nov. 2011

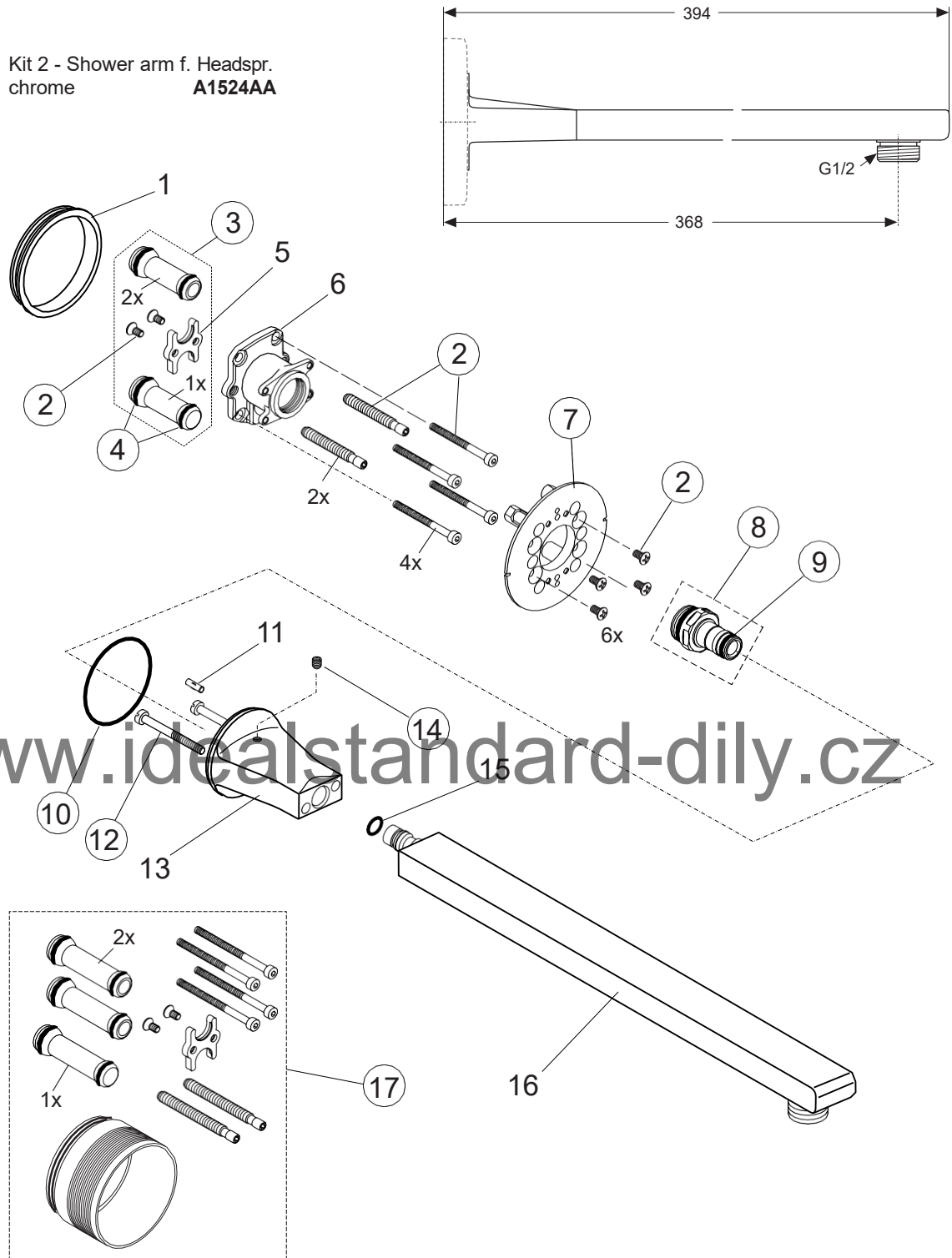
Kit 2 - Shower connector
chrome **A1521AA**



Pos.	Description	Part-Number	Qty.	Pos.	Description	Part-Number	Qty.
1	Seal ring			11	Groove pin 3x10 DIN1474		
2	Screw set vol./conn. valve	A 860 842 NU	1 pcs	12	Shower connector	A 1521 AA	
3	Ball canal / connector	A 860 847 NU	2 pcs	13	O - ring Ø17 x 2	A 961 810 NU	2 pcs
4	O-ring set Ø10 + Ø13x2,5	A 860 852 NU	1 Set	14	Nipple complete	A 963 651 NU	1 pcs
5	Flange / fixation / holder			15	Non-return valve DW15	A 962 594 NU	2 pcs
6	Body for vol. valve & accessories			16	Thread pin M5x5	A 962 625 NU	1 Set
7	Escutcheon holder	A 860 853 NU	1 Set	17	Extension kit 15mm longer	A 963 738 NU	1 Set
8	Connector nipple open	A 860 867 NU	1 pcs				
9	O - ring Ø10 x 2	A 963 495 NU	2 pcs				
10	O - ring Ø41 x 1,78	A 961 863 NU	1 pcs				

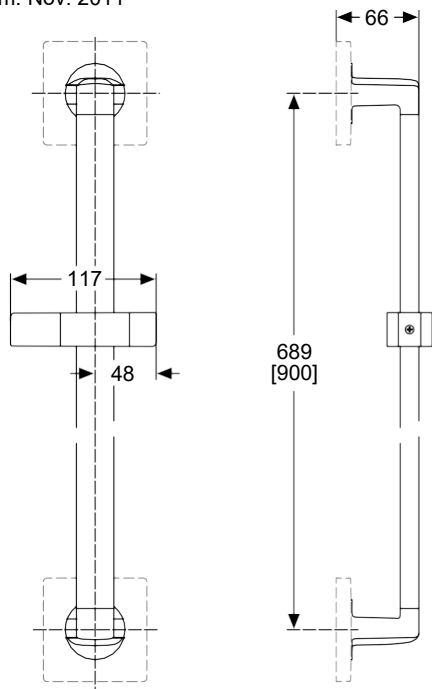
Produced from: Nov. 2011

Kit 2 - Shower arm f. Headspr. chrome
A1524AA

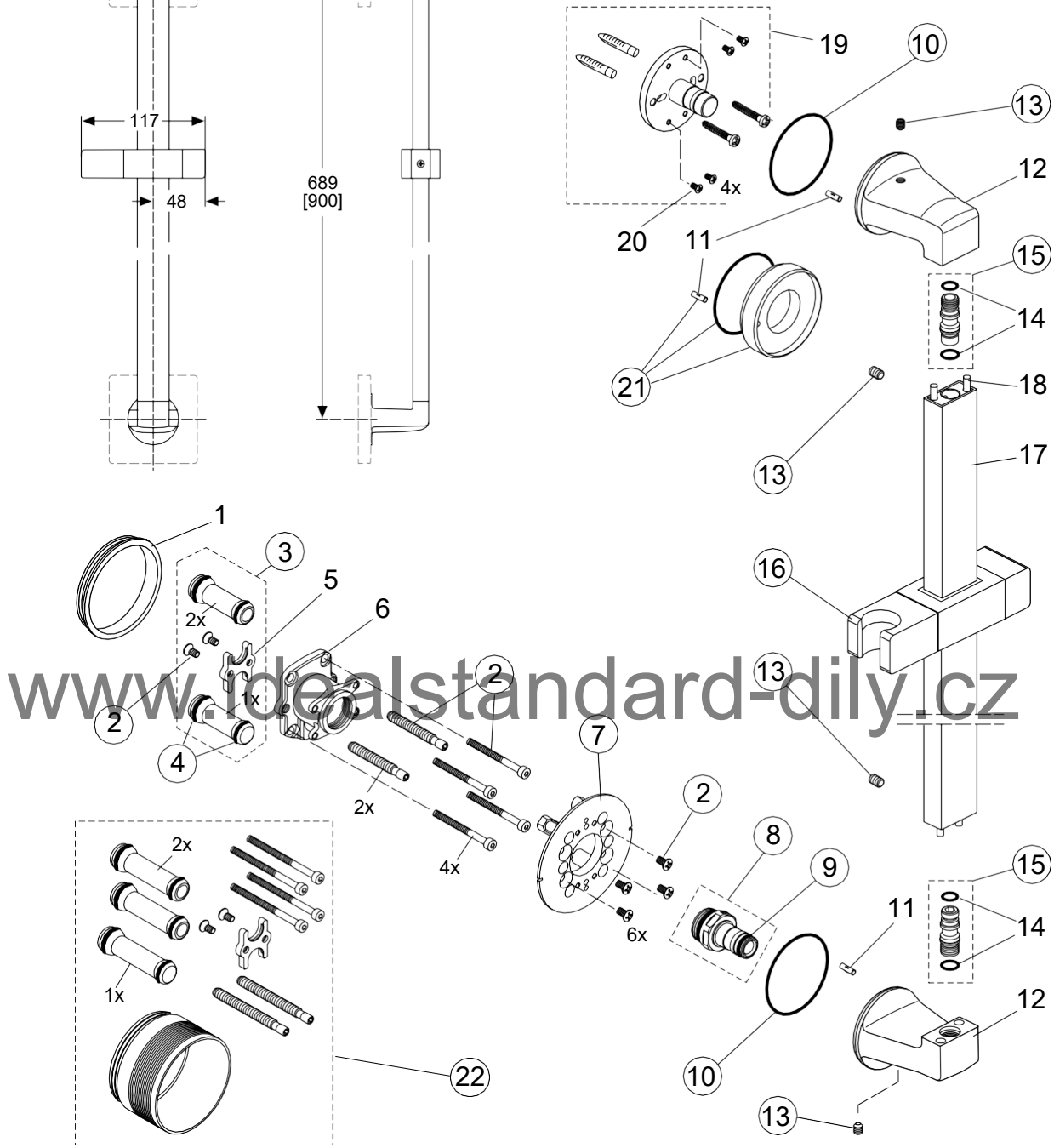


Pos.	Description	Part-Number	Qty.	Pos.	Description	Part-Number	Qty.
1	Seal ring			11	Groove pin 3x10 DIN1474		
2	Screw set vol./conn. valve	A 860 842 NU	1 pcs	12	Cylindrical screw M4x59	A 963 331 NU	3 pcs
3	Ball canal / connector	A 860 847 NU	2 pcs	13	Holder f. Shower arm		
4	O-ring set Ø10 + Ø13x2,5	A 860 852 NU	1 Set	14	Thread pin M5x5	A 962 625 NU	1 Set
5	Flange / fixation / holder			15	O-ring Ø 7x1,5		
6	Body for vol. valve & accessories			16	Shower arm		
7	Escutcheon holder	A 860 853 NU	1 Set	17	Extension kit 15mm longer	A 963 738 NU	1 Set
8	Connector nipple open	A 860 867 NU	1 pcs				
9	O - ring Ø10 x 2	A 963 495 NU	2 pcs				
10	O - ring Ø41 x 1,78	A 961 863 NU	1 pcs				

Produced from: Nov. 2011



Kit 2 - Shower bar with Slider
(Hand spray holder)
chrome 60cm **A1526AA**
chrome 90cm **A1528AA**



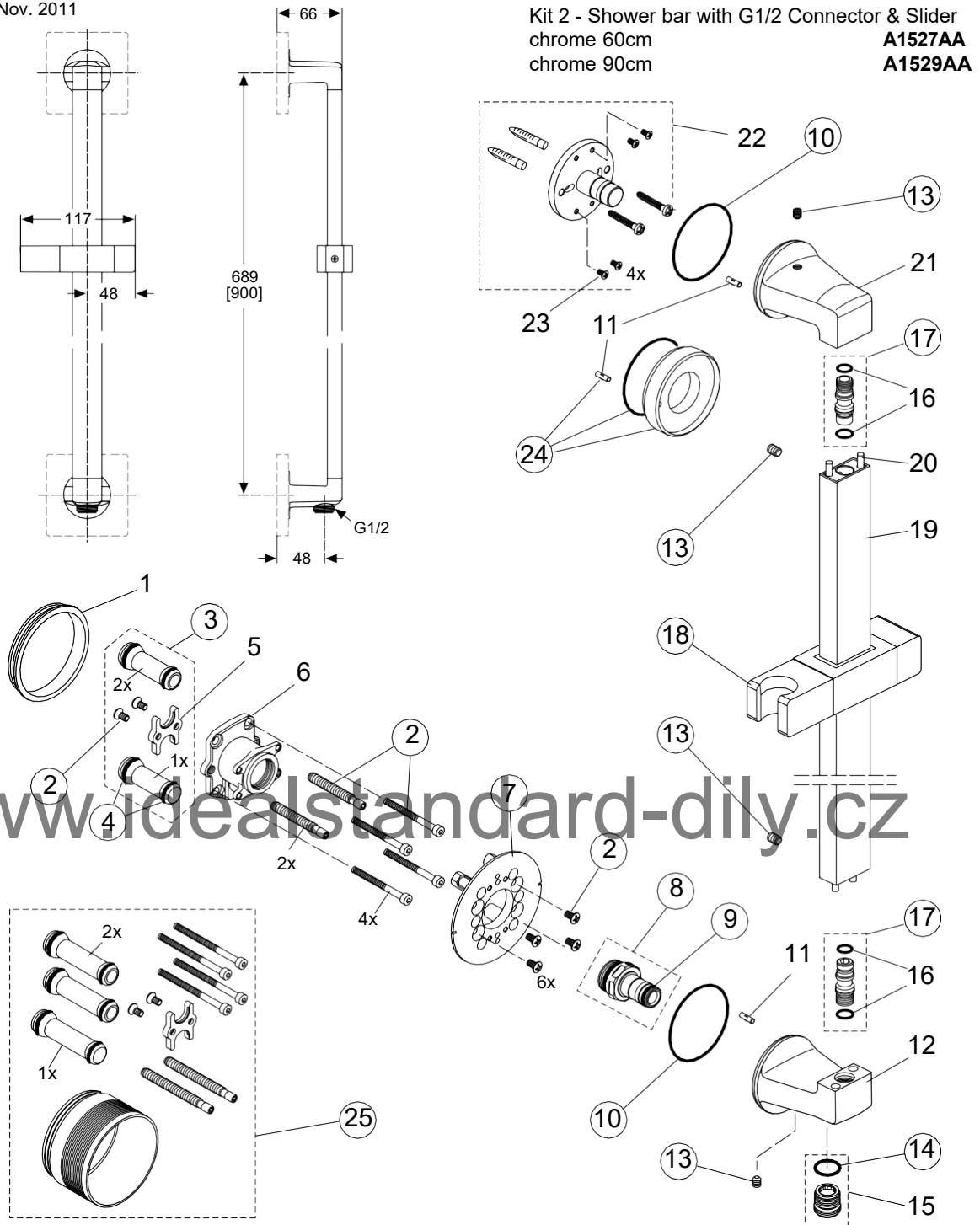
www.idealstandard-dily.cz

Replace XX with the appropriate finish code
chrome = AA,

Example spare part order:
A 860 870 AA in chrome

Pos.	Description	Part-Number	Qty.	Pos.	Description	Part-Number	Qty.
1	Seal ring			12	Wall connection elbow	Connection	
2	Screw set vol./conn. valve	A 860 842 NU	1 pcs	13	Thread pin M5x5	A 962 625 NU	1 Set
3	Ball canal / connector	A 860 847 NU	2 pcs	14	O-rings Ø7x1,5 u. Ø7,65x1,78		
4	O-ring set Ø10 + Ø13x2,5	A 860 852 NU	1 Set	15	Fixation nipple shr. bar	A 860 872 NU	1 pcs
5	Flange / fixation / holder			16	Slider / hand spray holder	A 860 870 XX	1 pcs
6	Body for vol. valve & accessories			17	Shower bar pipe		
7	Escutcheon holder	A 860 853 NU	1 Set	18	Groove pin 4x18 ISO8741		
8	Connector nipple open	A 860 867 NU	1 pcs	19	Flange fixation kit complete		
9	O - ring Ø10 x 2	A 963 495 NU	2 pcs	20	Counter sunk screw M3x6 DIN 963 Screw		
10	O - ring Ø41 x 1,78	A 961 863 NU	1 pcs	21	Distance plate Ø51 cpl.	A 860 825 XX	1 Set
11	Groove pin 3x10 DIN1474			22	Extension kit 15mm longer	A 963 738 NU	1 Set

Produced from: Nov. 2011



Kit 2 - Shower bar with G1/2 Connector & Slider
 chrome 60cm **A1527AA**
 chrome 90cm **A1529AA**

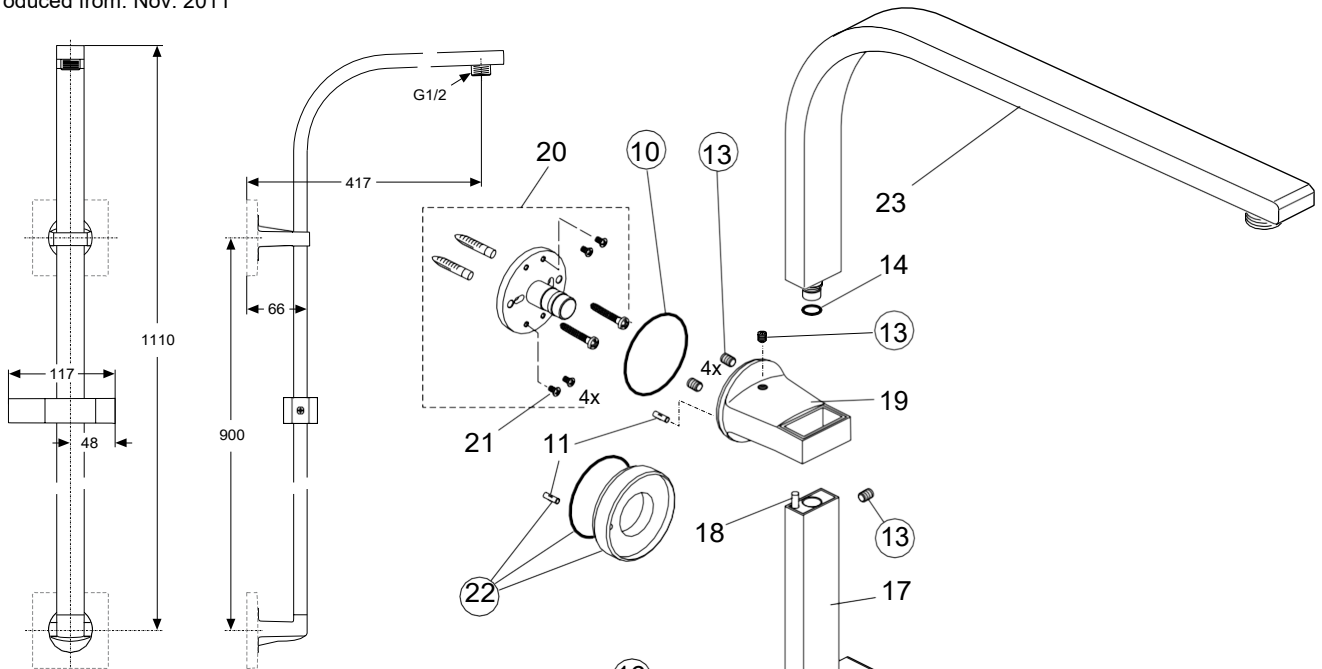
www.idealstandard-dily.cz

Replace XX with the appropriate finish code
 chrome = AA,

Example spare part order:
A 860 870 AA in chrome

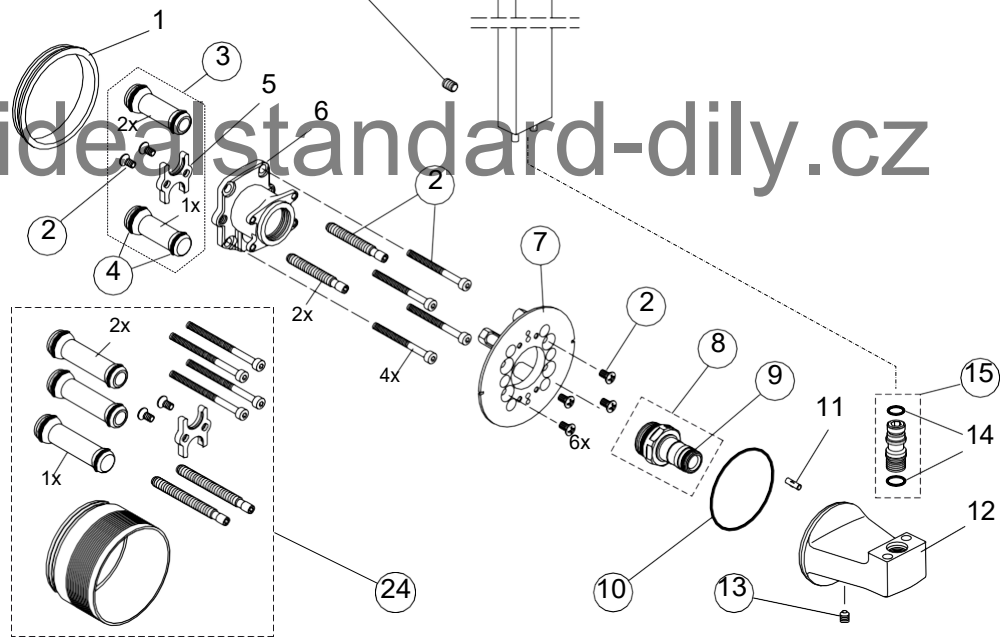
Pos.	Description	Part-Number	Qty.	Pos.	Description	Part-Number	Qty.
1	Seal ring			14	O-ring Ø17 x 2	A 961 810 NU	2 pcs
2	Screw set vol./conn. valve	A 860 842 NU	1 pcs	15	Connection nipple G1/2 / M20x1		
3	Ball canal / connector	A 860 847 NU	2 pcs	16	O-rings Ø7x1,5 u. Ø7,65x1,78		
4	O-ring set Ø10 + Ø13x2,5	A 860 852 NU	1 Set	17	Fixation nipple shr. bar	A 860 872 NU	1 pcs
5	Flange / fixation / holder			18	Slider / hand spray holder	A 860 870 XX	1 pcs
6	Body for vol. valve & accessories			19	Shower bar pipe		
7	Escutcheon holder	A 860 853 NU	1 Set	20	Groove pin 4x18 ISO8741		
8	Connector nipple open	A 860 867 NU	1 pcs	21	Wall connection elbow		
9	O - ring Ø10 x 2	A 963 495 NU	2 pcs	22	Flange fixation kit complete		
10	O - ring Ø41 x 1,78	A 961 863 NU	1 pcs	23	Counter sunk screw M3x6 DIN 963		
11	Groove pin 3x10 DIN1474			24	Distance plate Ø51 cpl.	A 860 825 XX	1 Set
12	Wall connection elbow with G1/2 thread connector			25	Extension kit 15mm longer	A 963 738 NU	1 Set
13	Thread pin M5x5	A962 625 NU	1 Set				

Produced from: Nov. 2011



Kit 2 - Shower bar with G1/2 Connector for Head shower & Slider for hand spray chrome
A1530AA

www.idealstandard-dily.cz



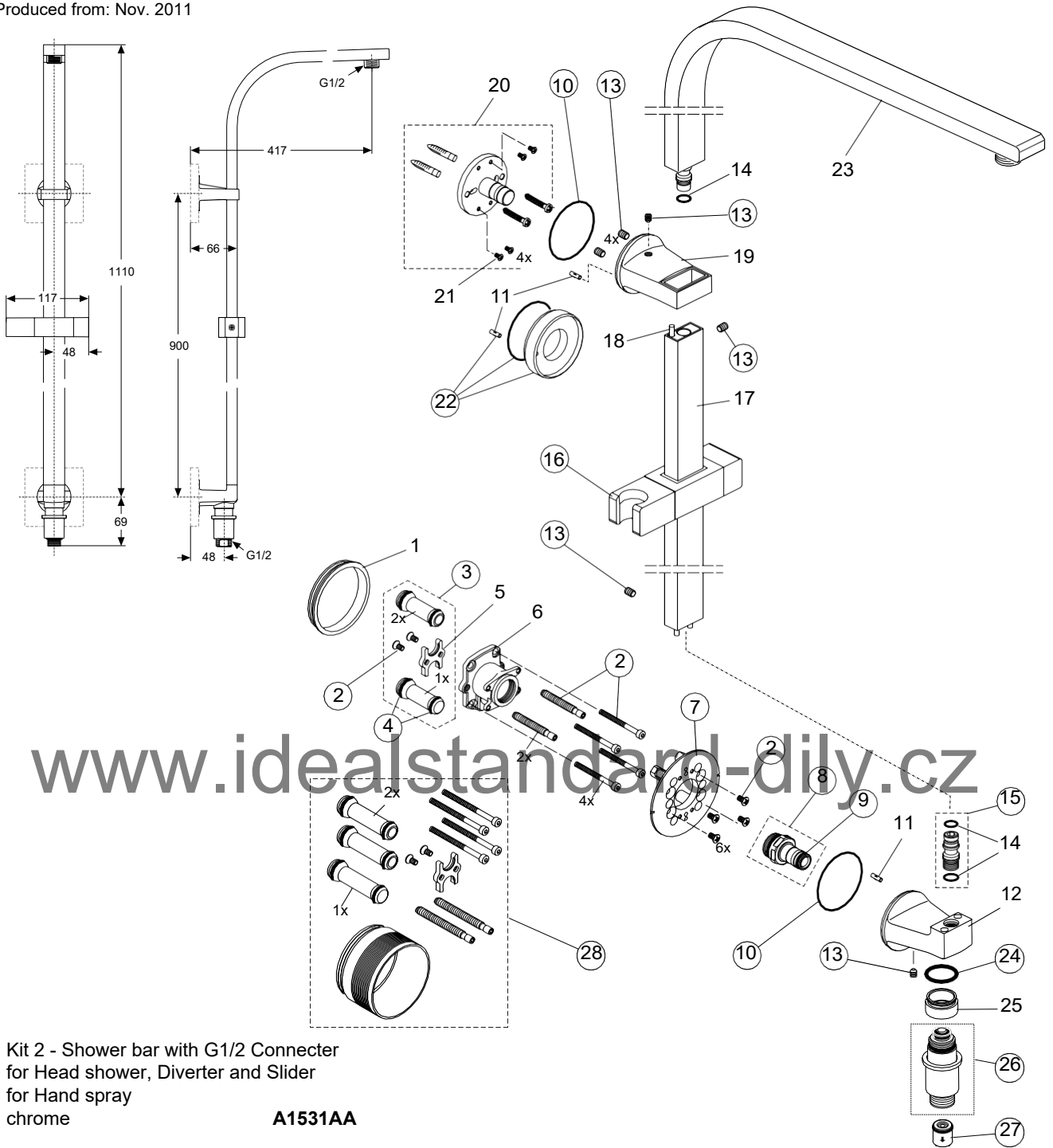
Replace **XX** with the appropriate finish code
chrome = AA,

Example spare part order:
A 860 870 AA in chrome

Pos.	Description	Part-Number	Qty.	Pos.	Description	Part-Number	Qty.
1	Seal ring			14	O-rings Ø7x1,5 u. Ø7,65x1,78		
2	Screw set vol./conn. valve	A 860 842 NU	1 pcs	15	Fixation nipple shr. bar	A 860 872 NU	1 pcs
3	Ball canal / connector	A 860 847 NU	2 pcs	16	Slider / hand spray holder	A 860 870 XX	1 pcs
4	O-ring set Ø10 + Ø13x2,5	A 860 852 NU	1 Set	17	Shower bar pipe		
5	Flange / fixation / holder			18	Groove pin 4x18 ISO8741		
6	Body for vol. valve & accessories			19	Wall Fixation shower bar		
7	Escutcheon holder	A 860 853 NU	1 Set	20	Flange fixation kit complete		
8	Connector nipple open	A 860 867 NU	1 pcs	21	Counter sunk screw M3x6 DIN 963		
9	O - ring Ø10 x 2	A 963 495 NU	2 pcs	22	Distance plate Ø51 cpl.	A 860 825 XX	1 Set
10	O - ring Ø41 x 1,78	A 961 863 NU	1 pcs	23	Shower bar pipe head shower		
11	Groove pin 3x10 DIN1474			24	Extension kit 15mm longer	A 963 738 NU	1 Set
12	Wall connection elbow						
13	Thread pin M5x5	A962 625 NU	1 Set				

ArchiModule

Produced from: Nov. 2011



Kit 2 - Shower bar with G1/2 Connector
for Head shower, Diverter and Slider
for Hand spray
chrome

A1531AA

Replace XX with the appropriate finish code
chrome = AA,

Example spare part order:
A 860 870 AA in chrome

Pos.	Description	Part-Number	Qty.	Pos.	Description	Part-Number	Qty.
1	Seal ring			15	Fixation nipple shr. bar	A 860 872 NU	1 pcs
2	Screw set vol./conn. valve	A 860 842 NU	1 pcs	16	Slider / hand spray holder	A 860 870 XX	1 pcs
3	Ball canal / connector	A 860 847 NU	2 pcs	17	Shower bar pipe		
4	O-ring set Ø10 + Ø13x2,5	A 860 852 NU	1 Set	18	Groove pin 4x18 ISO8741		
5	Flange / fixation / holder			19	Wall Fixation shower bar		
6	Body for vol. valve & accessories			20	Flange fixation kit complete		
7	Escutcheon holder	A 860 853 NU	1 Set	21	Counter sunk screw M3x6		
8	Connector nipple open	A 860 867 NU	1 pcs	22	Distance plate Ø51 cpl.	A 860 825 XX	1 Set
9	O - ring Ø10 x 2	A 963 495 NU	2 pcs	23	Shower bar pipe head shower	A 1530 AA	
10	O - ring Ø41 x 1,78	A 961 863 NU	1 pcs	24	O-ring Ø20x1,5	A 961 644 NU	1 Set
11	Groove pin 3x10 DIN1474			25	Sleeve M25x1 outside - M22x1 inside		
12	Wall connection elbow			26	Diverter complete	A 860 869 XX	1 pcs
13	Thread pin M5x5	A962 625 NU	1 Set	27	Non-return valve DW15	A 962 594 NU	2 pcs
14	O-rings Ø7x1,5 u. Ø7,65x1,78			28	Extension kit 15mm longer	A 963 738	1 Set